

ALL PRODUCT SPECIFICATIONS ARE APPLICABLE AT STANDARD CONDITIONS:
1013 MILLIBAR, 25°C DRY AIR, 50% RH.

1. Operation:

- 1. Temperature: 0 to 50° C
- 2. Pressure Range: 750 to 1250 hPa
- 3. Humidity Range: 5 to 98% RH

2. Storage Temperature Range:

- 20 to 55° C
- 5 to 25° C Recommended

3. Range of Measurement:

0 to 5,000 ppm

4. Linearity Error:

- ± 3% from 0 to 2,000 ppm
- ± 5% over 2,000 ppm to full scale

5. 90% Response Time:

< 5 s

6. Repeatability:

± 2% of signal, minimum of 20 ppm absolute

7. Drift:

< 5% of signal per annum

8. Output Signal:

45 to 75 nA/ppm

9. Interferences:

- ± 20 ppm NO response to:
- 16% CO₂ balance N₂
- 10% CO balance N₂
- 100% noble gases
- 3,000 ppm C₃ H₈ balance N₂
- 75 ppm H₂ S balance N₂
- 75 ppm SO₂ balance N₂
- 1,000 ppm Benzene balance N₂

10. Recommended Load:

10 Ohm

11. Electrical Interface:

4-pin Molex Connector

12. Gas Connector:

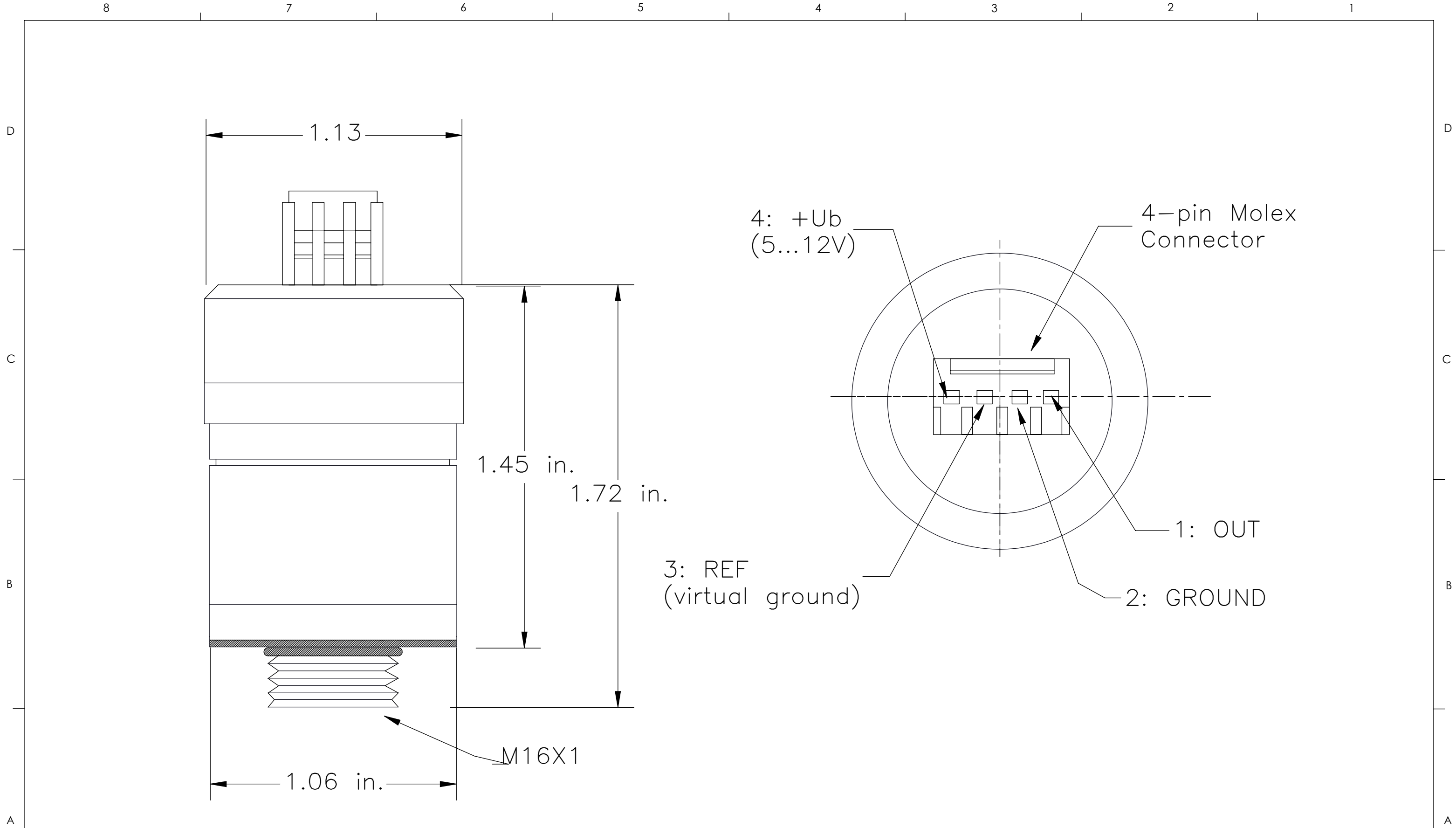
M16 X 1

Released

TP-0001 REV 01

REVISION DETAIL DRAWING UPDATED FOR PRODUCT REINSTATEMENT		mextec ® SALT LAKE CITY, UTAH		SPECIFICATION, MAX-623A NITRIC OXIDE AUTOMOTIVE SENSOR	
		UNLESS OTHERWISE SPECIFIED DIMENSIONS ARE IN INCHES AND PER ASME Y14.5-2009		SIZE	DWG. NO.
		.XX = ± .01 ANGLES ± 0° 30' .XXX = ± .005 .XXXX = ± .002		B	R108P40
DRAWN BY: Z. HANSEN		DATE: 11/02/2018		REV C	
		SCALE: 1:1		SHEET 1 OF 2	

Released



Tolerance; ± 0.005 in.

TP-001 REV 01

SIZE	DWG. NO.	REV
B	R108P40	C
SCALE: 1:1		SHEET 2 OF 2