

8

7

6

5

4

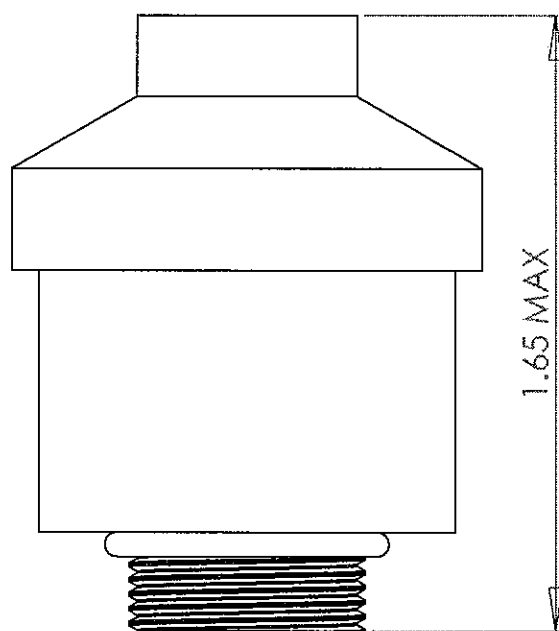
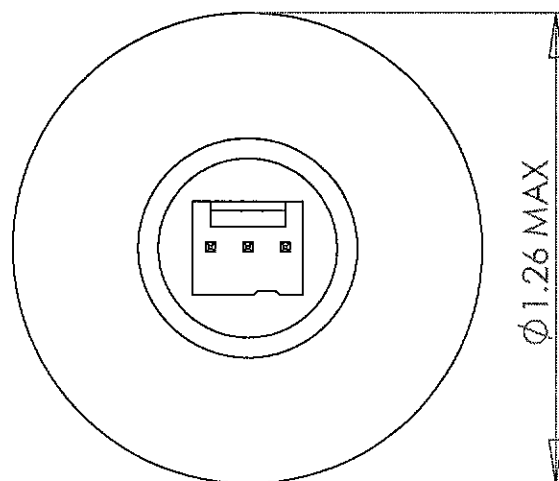
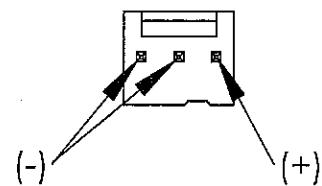
3

2

1

REVISIONS			
REV.	DESCRIPTION	DATE	APPROVED
A	INITIAL REL. # 3368	6/3/10	D.L.
B	DCO # 5357 UPDATE TO VOLTAGE RANGE	6/1/15	D. LARSEN

ELECTRICAL INTERFACE



M16X1

SPECIFICATION	
RANGE OF MEASUREMENT:	0 TO 25% VOL OXYGEN
OUTPUT RANGE:	8.0 TO 14.0 MV
SIGNAL RESPOSE TO NITROGEN	Ua/0.200 WHEN EXPOSED TO 100% NITROGEN FOR 40 SECONDS
90% RESPONSE TIME:	≤5 SECONDS
ACCURACY	<2 VOL% +/- 0.1% <25 VOL% +/- 0.5%
DRIFT:	10% PER YEAR
EXPECTED LIFETIME:	500,000 %O2 HOURS
TEMPERATURE COMPENSATION:	NTC
OPERATIONAL TEMPERATURE RANGE:	0° TO 50°C
STORAGE TEMPERATURE RANGE:	-20° TO 50°C
RECOMMENDED STORAGE TEMPERATURE RANGE:	5° TO 25°C
OPERATING PRESSURE RANGE:	700-1750MBAR
INTERFERENCE:	<0.1%O2 RESPONSE TO: 15 % CO2 BALANCE N2 10 % CO BALANCE N2 3,000 PPM NO BALANCE N2 3,000 PPM C3H8 BALANCE N2 500 PPM H2S BALANCE N2 500 PPM SO2 BALANCE N2 1,000PPM BENZENE BALANCE N2
INFLUENCE OF HUMIDITY:	-0.03%REL. O2 READING PER %RH
ELECTRICAL INTERFACE:	3 PIN MOLEX 22-01-2032
RECOMMENDED LOAD RESISTOR	≥10K OHMS

ALL PRODUCT SPECIFICATIONS ARE APPLICABLE AT STANDARD CONDITIONS 25C, 50% RH, AND 1013 MBAR

AUTHORIZED COPY
 JUN 2 2015
 EFFECTIVE DATE
 VALID ONLY IF THIS STAMP IS RED

UNLESS OTHERWISE SPECIFIED DIMENSIONS ARE IN INCHES AND PER ANSI Y14.5-1982

XX = ±.01
 .XXX = ±.005
 .XXXX = ±.002

ANGLES ±1°30"

ORIGINATOR
 D. LARSEN 5/25/10

Q.A. G. ROTH	5/27/15	CHECKED R.ERICKSON	5/27/15
MFG E. MEADS	6/1/15	ENG M. SWANK	5/27/15

maxtec[®]
 SALT LAKE CITY, UTAH

SPECIFICATION, MAX-401T INDUSTRIAL OXYGEN SENSOR

SIZE B	DWG. NO. R108P52	REV B
------------------	---------------------	-----------------

SCALE: 2:1 SHEET 1 OF 1

PROPRIETARY INFORMATION OF MAXTEC

R108P52 B