
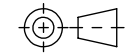


ALL PRODUCT SPECIFICATIONS ARE APPLICABLE AT STANDARD CONDITIONS:
1013 MILLIBAR, 25° C DRY AIR, 50% RH.

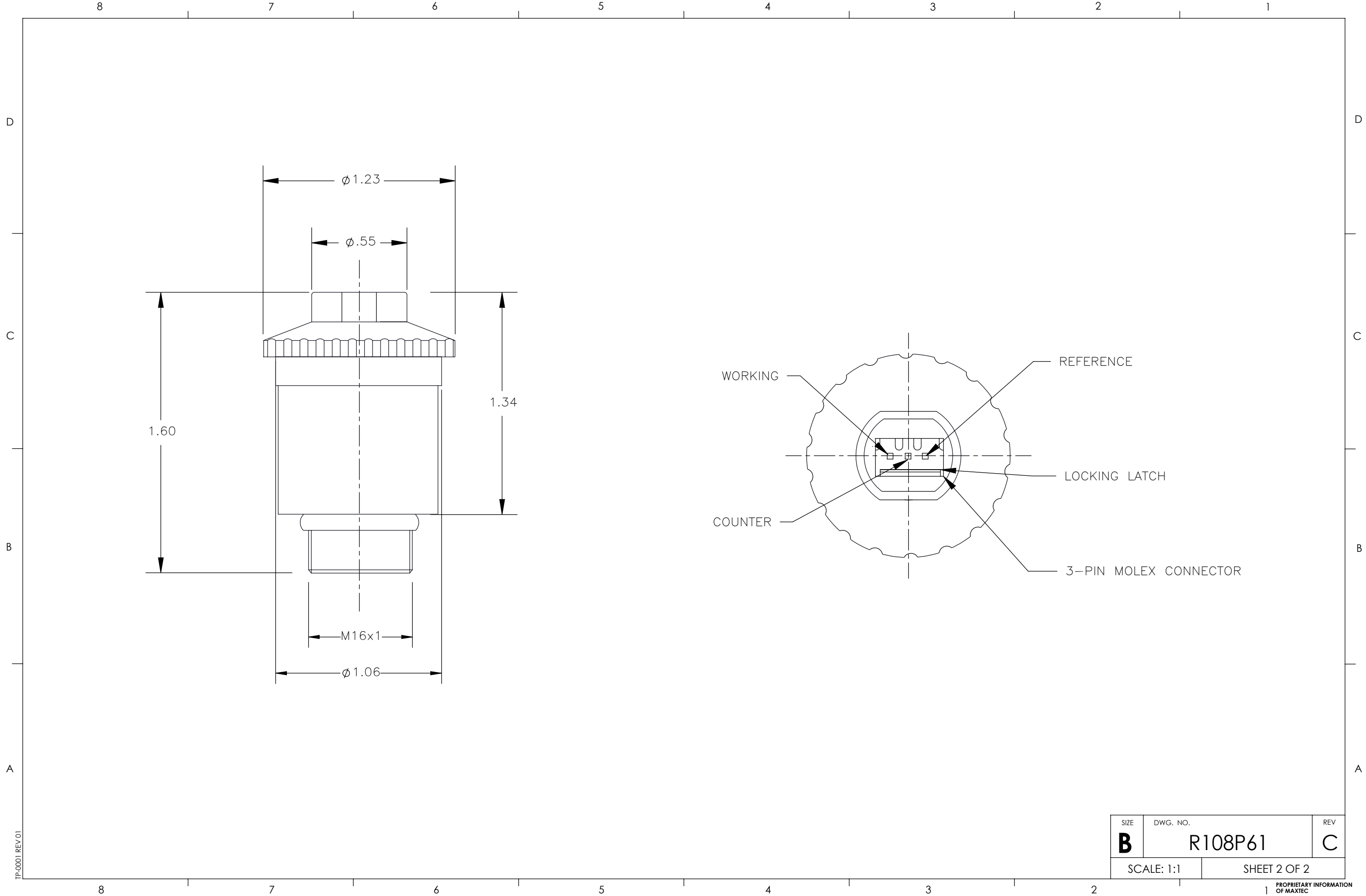
- | | |
|--|--|
| <p>1. Bias Voltage:
+ 300 mV ±25 mV</p> <p>2. Operation:
1. Temperature: 0° – 50° C
2. Pressure Range: 750 – 1250 hPa
3. Humidity Range: 10 – 98% RH</p> <p>3. Storage Temperature Range:
–20° to 60° C maximum
5° to 25° C Recommended</p> <p>4. Range of Measurement (Full Scale):
0 to 2,500 ppm</p> <p>5. Zero Offset Current:
< 10 ppm</p> <p>6. 90% Response Time:
<15 s @ flow-rates of 0.2 to 2.0 l/min.</p> <p>7. Sensitivity:
40 nA/ppm – 75 nA/ppm</p> <p>8. Drift:
<10% signal/year</p> | <p>9. Maximum Overload:
up to 10,000 ppm</p> <p>10. Interferences: (without filter)
H₂S: < 8nA/ppm
CO: < 1nA/ppm
H₂: < 1nA/ppm
NO₂: < 10nA/ppm
SO₂: < 5nA/ppm
O₂: None
CO₂: None</p> <p>11. Warm-up Time:
8 h, when connected to Bias</p> <p>12. Nominal Sensor Life:
2 Years</p> <p>13. Electrical Interface:
3-pin molex connector</p> <p>14. Gas Connector:
M16 X 1 Threaded</p> |
|--|--|

Released

TP-0001 REV 01

REVISION DETAIL DRAWING REVISION UPDATED FOR PRODUCT REINSTATEMENT.		 SALT LAKE CITY, UTAH		SPECIFICATION, MAX-620i NITRIC OXIDE INDUSTRIAL SENSOR	
UNLESS OTHERWISE SPECIFIED DIMENSIONS ARE IN INCHES AND PER ASME Y14.5-2009 .XX = ± .01 ANGLES ± 0° 30' .XXX = ± .005 .XXXX = ± .002			SIZE B	DWG. NO. R108P61	REV C
DRAWN BY: Z. HANSEN	DATE: 10/31/18	SCALE: 1:1		SHEET 1 OF 2	

Released



TP-001 REV 01

SIZE	DWG. NO.	REV
B	R108P61	C
SCALE: 1:1		SHEET 2 OF 2

PROPRIETARY INFORMATION OF MAXTEC