

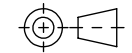
ALL PRODUCT SPECIFICATIONS ARE APPLICABLE AT STANDARD CONDITIONS:  
 1013 MILLIBAR, 25°C DRY AIR, 50% RH.

1. Operation:
  1. Temperature: 0 to 50° C
  2. Pressure Range: 750 to 1250 hPa
  3. Humidity Range: 10 to 98% RH
2. Storage Temperature Range:
  - 20 to 60° C
  - 5 to 25° C Recommended
3. Range of Measurement:
  - 0 – 2,500 ppm
4. Zero Offset Current:
  - < 10 ppm
5. 90% Response Time:
  - < 15 s @ flow-rates of 0.2 to 2.0 l/min.
6. Sensitivity:
  - 40 nA/ppm – 75 nA/ppm
7. Drift:
  - <10 % signal/year
8. Maximum Overload:
  - up to 10,000 ppm

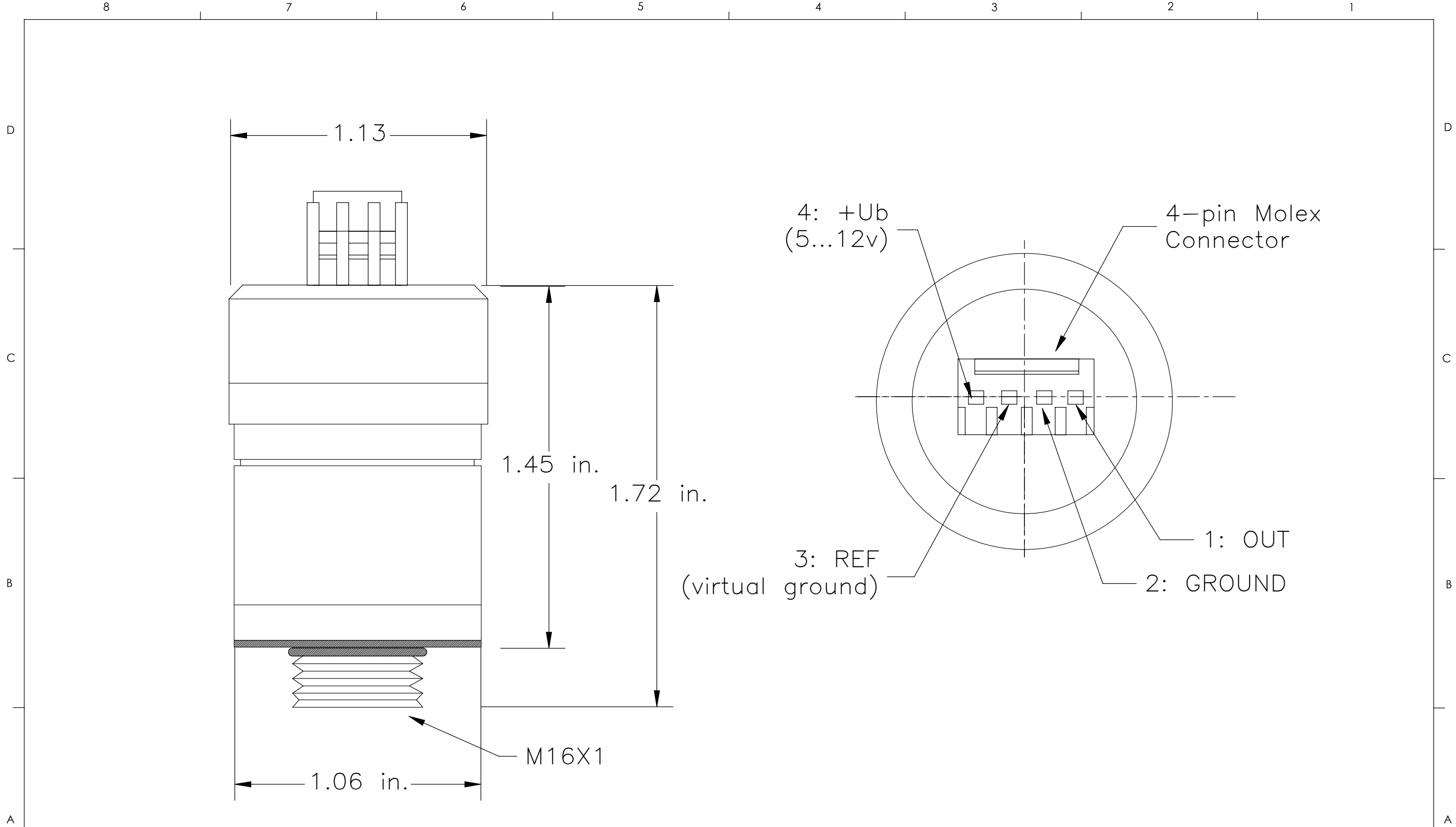
9. Interferences (without filter):
  - H<sub>2</sub>S: < 8 nA/ppm
  - CO<sub>2</sub>: None
  - CO: < 1 nA/ppm
  - H<sub>2</sub>: < 1 nA/ppm
  - O<sub>2</sub>: None
  - NO<sub>2</sub>: < 10 nA/ppm
  - SO<sub>2</sub>: < 5 nA/ppm
10. Nominal Sensor Life:
  - > 2 Years
11. Electrical Interface:
  - 4-pin Molex Connector
12. Gas Connector:
  - M16 X 1 Thread

Released

TP-0001 REV 01

REVISION DETAIL UPDATE DRAWING REVISION FOR PRODUCT REINSTATEMENT		<b>mextec</b> ® SALT LAKE CITY, UTAH		<b>SPECIFICATION, MAX-621i NITRIC          OXIDE INDUSTRIAL SENSOR</b>	
		<small>UNLESS OTHERWISE SPECIFIED          DIMENSIONS ARE IN INCHES AND PER          ASME Y14.5-2009</small>		<small>SIZE</small> <small>DWG. NO.</small> <small>REV</small>	
		<small>.XX = ± .01    ANGLES    </small> <small>.XXX = ± .005    ± 0° 30'</small> <small>.XXXX = ± .002</small>		<b>B</b> <b>R108P63</b> <b>C</b>	
<small>DRAWN BY:</small> <b>Z. HANSEN</b>		<small>DATE:</small> <b>10/29/18</b>		<small>SCALE: 1:1</small> <small>SHEET 1 OF 2</small>	

Released



Tolerance;  $\pm 0.005$  in.

TP-0001 REV 01

SIZE	DWG. NO.	REV
<b>B</b>	R108P63	<b>C</b>
SCALE: 1:1		SHEET 2 OF 2