

ALL PRODUCT SPECIFICATIONS ARE APPLICABLE AT STANDARD CONDITIONS:
 1013 MILLIBAR, 25°C DRY AIR, 50% RH.

1. Operation:

1. Temperature: 0 to 50° C
2. Pressure Range: 750 to 1250 hPa
3. Humidity Range: 20 to 80% RH

2. Storage Temperature Range:

- 20 to 60° C
- 5 to 25° C Recommended

3. Range of Measurement:

0 to 500 ppm

4. Zero Offset Current:

< 1 ppm

5. 90% Response Time:

< 15 s

6. Sensitivity:

500 nA/ppm to 1500 nA/ppm

7. Drift:

<10% signal year

8. Maximum Overload:

up to 2,000 ppm

9. Interferences (without any filter):

- H₂S: < 40 nA/ppm
- CO: < 0.5 nA/ppm
- H₂: None
- NO₂: < 80 nA/ppm
- SO₂: < 1 nA/ppm

10. Nominal Sensor Life:

> 2 Years depending on battery discharge

11. Electrical Interface:

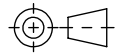
4-pin Molex Connector

12. Gas Connector:

M16 X 1 Thread

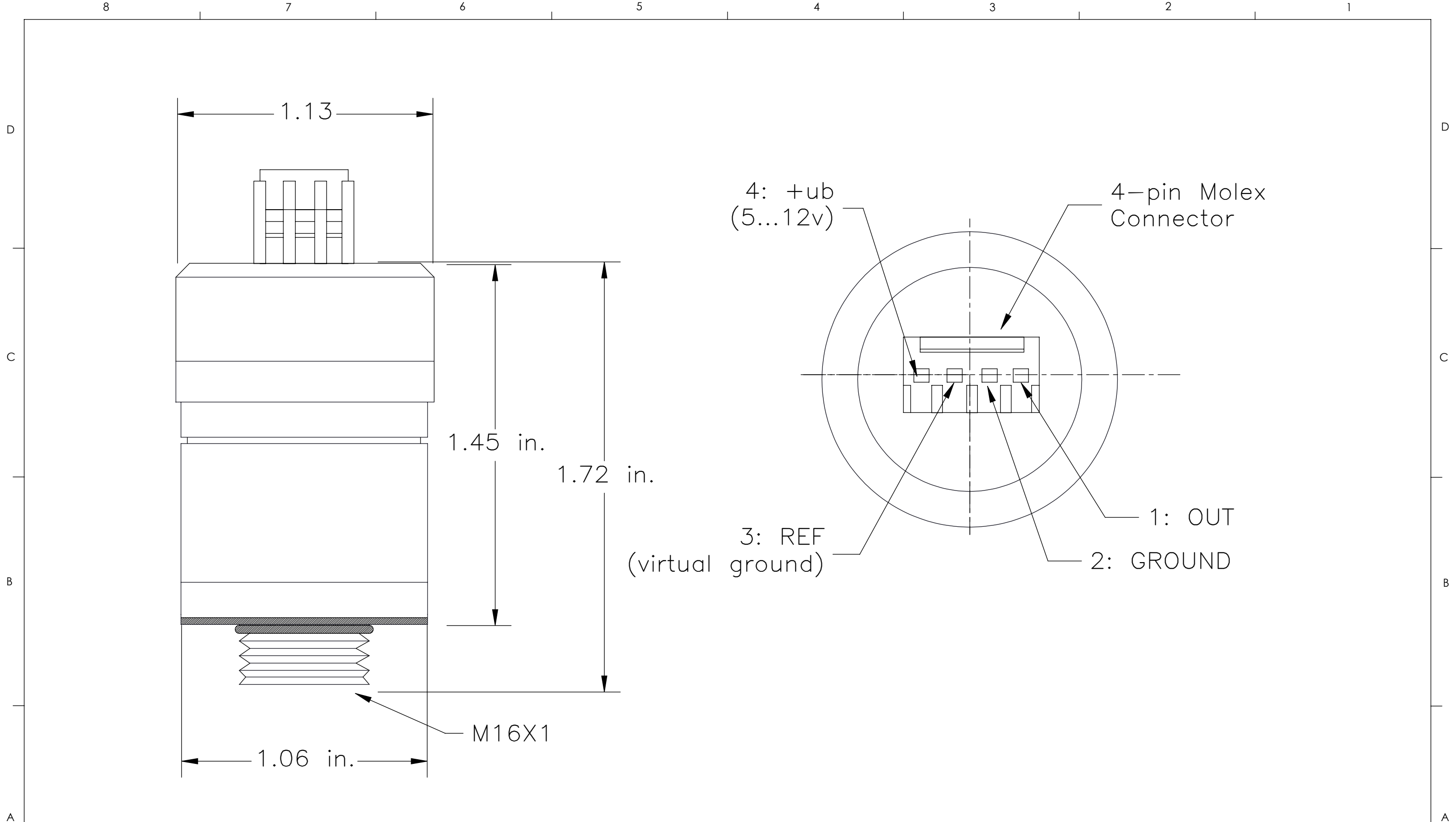
Released

TP-0001 REV 01

REVISION DETAIL UPDATE REVISION FOR PRODUCT REINSTATEMENT		mextec [®] SALT LAKE CITY, UTAH <small>UNLESS OTHERWISE SPECIFIED DIMENSIONS ARE IN INCHES AND PER ASME Y14.5-2009</small> <small>.XX = ± .01 ANGLES ± 0°30'</small> <small>.XXX = ± .005</small> <small>.XXXX = ± .002</small> 		SPECIFICATION, MAX-627i NITRIC OXIDE INDUSTRIAL SENSOR	
DRAWN BY: Z. HANSEN		DATE: 10/19/18		SIZE B	DWG. NO. R108P69
				REV C	SCALE: 1:1
				SHEET 1 OF 2	

PROPRIETARY INFORMATION
OF MAXTEC

Released



Tolerance; ± 0.005 in.

TP-001 REV 01

SIZE B	DWG. NO. R108P69	REV C
SCALE: 1:1		SHEET 2 OF 2

PROPRIETARY INFORMATION OF MAXTEC