

ALL PRODUCT SPECIFICATIONS ARE APPLICABLE AT STANDARD CONDITIONS:
 1013 MILLIBAR, 25°C DRY AIR, 50% RH.

1. Operation:

- 1. Temperature: 0 to 50° C
- 2. Pressure Range: 750 to 1250 hPa
- 3. Humidity Range: 10 to 98% RH

2. Storage Temperature Range:

- 20 to 60° C
- 5 to 25° C Recommended

3. Range of Measurement:

0 to 500 ppm

4. Zero Offset Current:

< 1 ppm

5. 90% Response Time:

< 15 s @ flow-rates of 0.2 to 2.0 l/min.

6. Sensitivity:

-150 nA/ppm to - 250 nA/ppm

7. Drift:

<10% signal year

8. Maximum Overload:

up to 2,000 ppm

9. Interferences (without any filter):

- H₂S: < 30 nA/ppm
- CO₂: None
- CO: < 1 nA/ppm
- H₂: < 1 nA/ppm
- O₂: None
- NO: < 1-2 nA/ppm
- SO₂: < 5 nA/ppm

10. Nominal Sensor Life:

> 2 Years

11. Electrical Interface:

4-pin Molex Connector

12. Gas Connector:

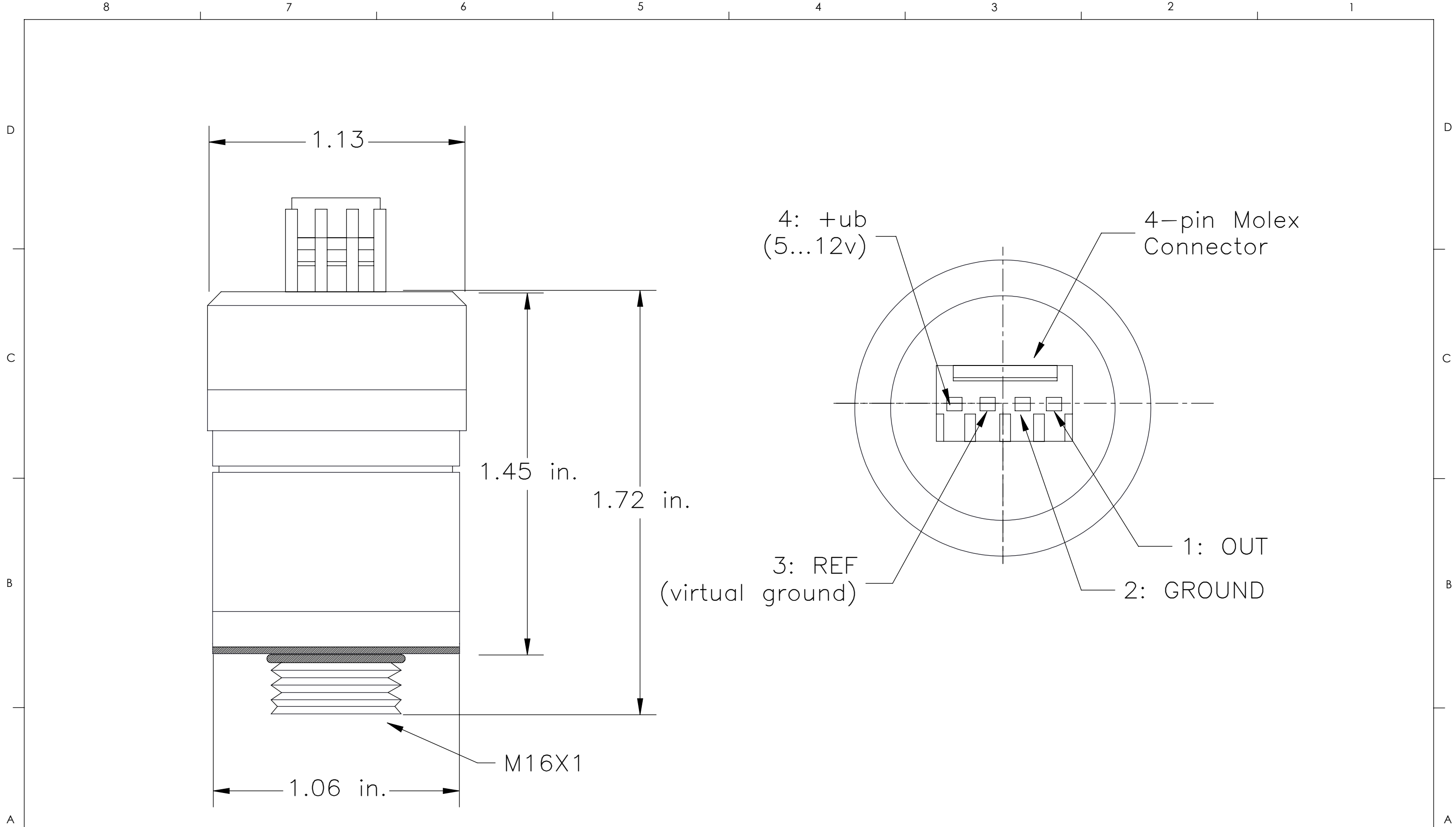
M16 X 1 Thread

Released

TP-0001 REV 01

REVISION DETAIL		mextec [®] SALT LAKE CITY, UTAH		SPECIFICATION, MAX-651i NITROGEN DIOXIDE INDUSTRIAL SENSOR	
UPDATED REVISION FOR PRODUCT REINSTATEMENT		UNLESS OTHERWISE SPECIFIED DIMENSIONS ARE IN INCHES AND PER ASME Y14.5-2009		SIZE	DWG. NO.
		.XX = ± .01 ANGLES ±0° 30' .XXX = ± .005 .XXXX = ± .002		B	R108P73
		DRAWN BY:	DATE:	REV	
		Z. HANSEN	10/19/18	C	
		SCALE: 1:1		SHEET 1 OF 2	

Released



Tolerance; ± 0.005 in.

TP-001 REV 01

SIZE B	DWG. NO. R108P73	REV C
SCALE: 1:1		SHEET 2 OF 2