

REVISIONS			
REV.	DCO'S RELATED TO THIS DRAWING	DATE	APPROVED
A	INITIAL REL . DCO # 3026	9/19/08	D.L.
B	DCO # 4302 UPDATD STORAGE CONDITIONS	10/18/12	D.LARSEN

1. Output:

340 to 580  $\mu$ A in air at 1013 millibar pressure, 50% RH and 25° C

2. Operating Temperature:

0° to 40° C

3. Recommended Storage Conditions

Optimal Storage Temperature Range (Recommended): 5° to 15° C

Maximum Storage Temperature Range: 0° to 40° C

Storage Container (Recommended): Sealed Nitrogen Flushed Coated Plastic Bag

Ambient Pressure: 600 to 1750 hPa

Humidity: Up to 100% RH

Maximum Shelf Life: 3 Months

4. Range of Measurement:

1 to 10,000 ppm Oxygen

5. Response Times:

<180 sec. from 10,000 down to 1000 ppm

<10 min. from 1,000 down to 10 ppm

<5 hr. from 10 ppm down to 1 ppm

6. Temperature Coefficients

$$P_{coe}(x) = Ax^3 + Bx^2 + Cx + D$$

$$A = 2.01 \text{ E-06}$$

$$B = -2.60 \text{ E-05}$$

$$C = 1.70 \text{ E-02}$$

$$D = 5.61 \text{ E-01}$$

$$x \dots T (\text{° C})$$

Example: Signal @ T(° C) = Signal @ 25° C x Pcoe @ T(° C)  
Signal @ (0° C) = Signal @ 25° C x 0.561

7. Linearity Error:

Within  $\pm 2.0\%$  of signal (above 100 ppm)

8. Pressure Dependency:

Partial Pressure

9. Typical Operating Life:

1 year, depending on humidity and Oxygen concentration

10. Electrical Connector:

2x Slip-Rings on PCB

11. Weight:

Approximately 35 grams

12. Materials in Contact With Media:

PVDF, Stainless Steel, PTFE

**AUTHORIZED COPY**  
OCT 18 2012  
EFFECTIVE DATE  
VALID ONLY IF THIS STAMP IS RED

UNLESS OTHERWISE SPECIFIED  
DIMENSIONS ARE IN INCHES  
AND PER ANSI Y14.5-1982

.XX =  $\pm 0.01$   
.XXX =  $\pm 0.005$   
.XXXX =  $\pm 0.002$

ORIGINATOR  
A. BOARDMAN 7/18/08

CHECKED  
G. PEKAR 9/11/08

ENG  
C. CINDRICH 10/11/12

Q.A.  
I. LAVERY 10/12/12  
MFG  
E. MEADS 10/12/12

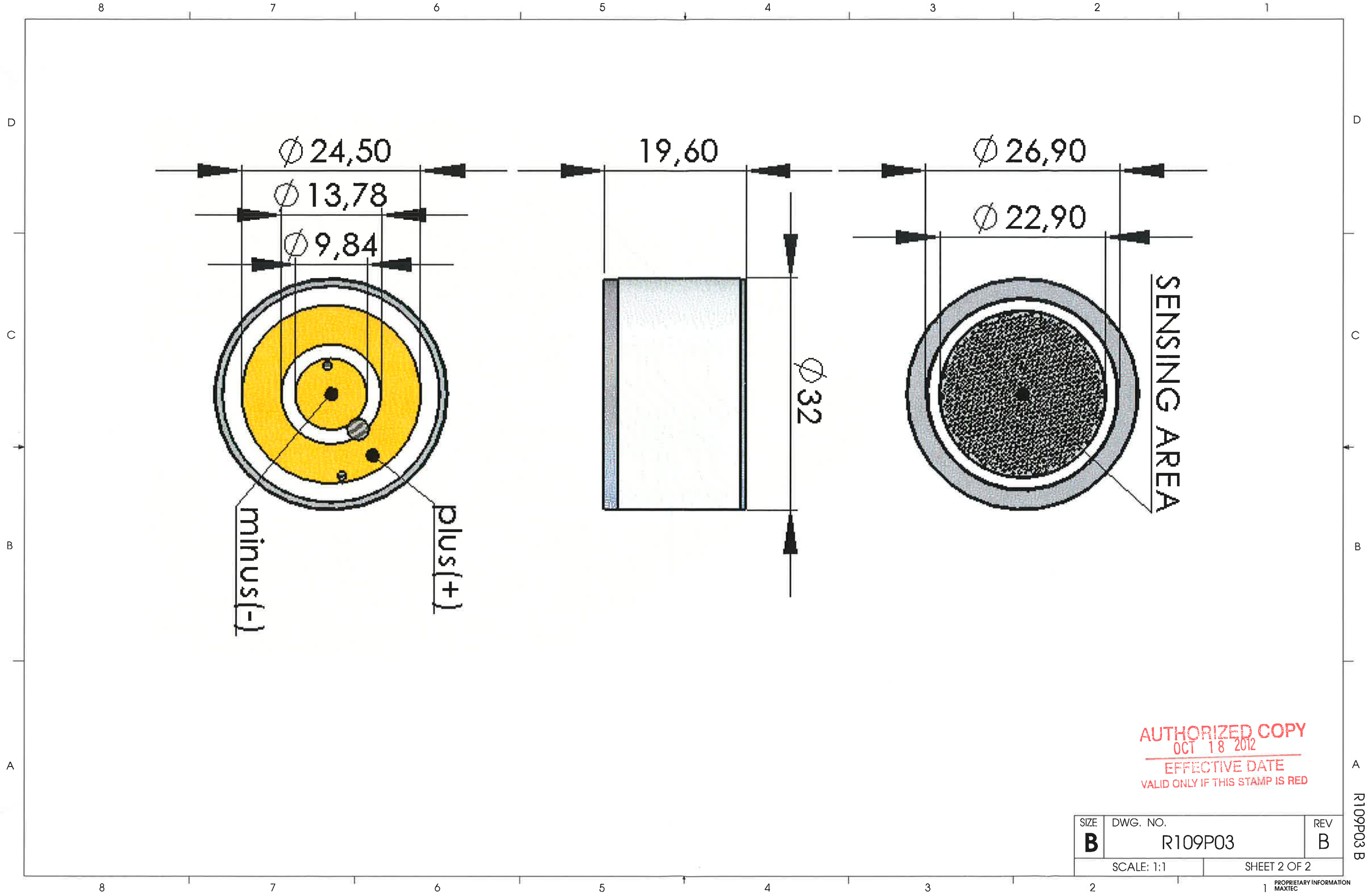
**mactec**<sup>®</sup>  
SALT LAKE CITY, UTAH 84107

Specification, Max-41i,  
Industrial Oxygen Sensor

SIZE DWG. NO. REV  
**B** R109P03 **B**

SCALE: 1:1 SHEET 1 OF 2

R109P03 B



**AUTHORIZED COPY**  
 OCT 18 2012  
 EFFECTIVE DATE  
 VALID ONLY IF THIS STAMP IS RED

SIZE	DWG. NO.	REV
<b>B</b>	R109P03	<b>B</b>
SCALE: 1:1		SHEET 2 OF 2

R109P03 B