

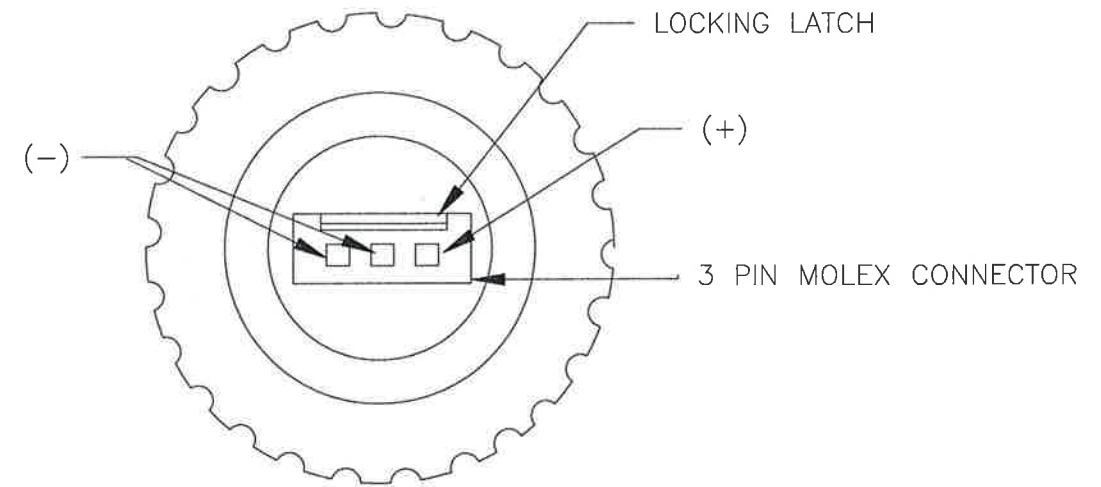
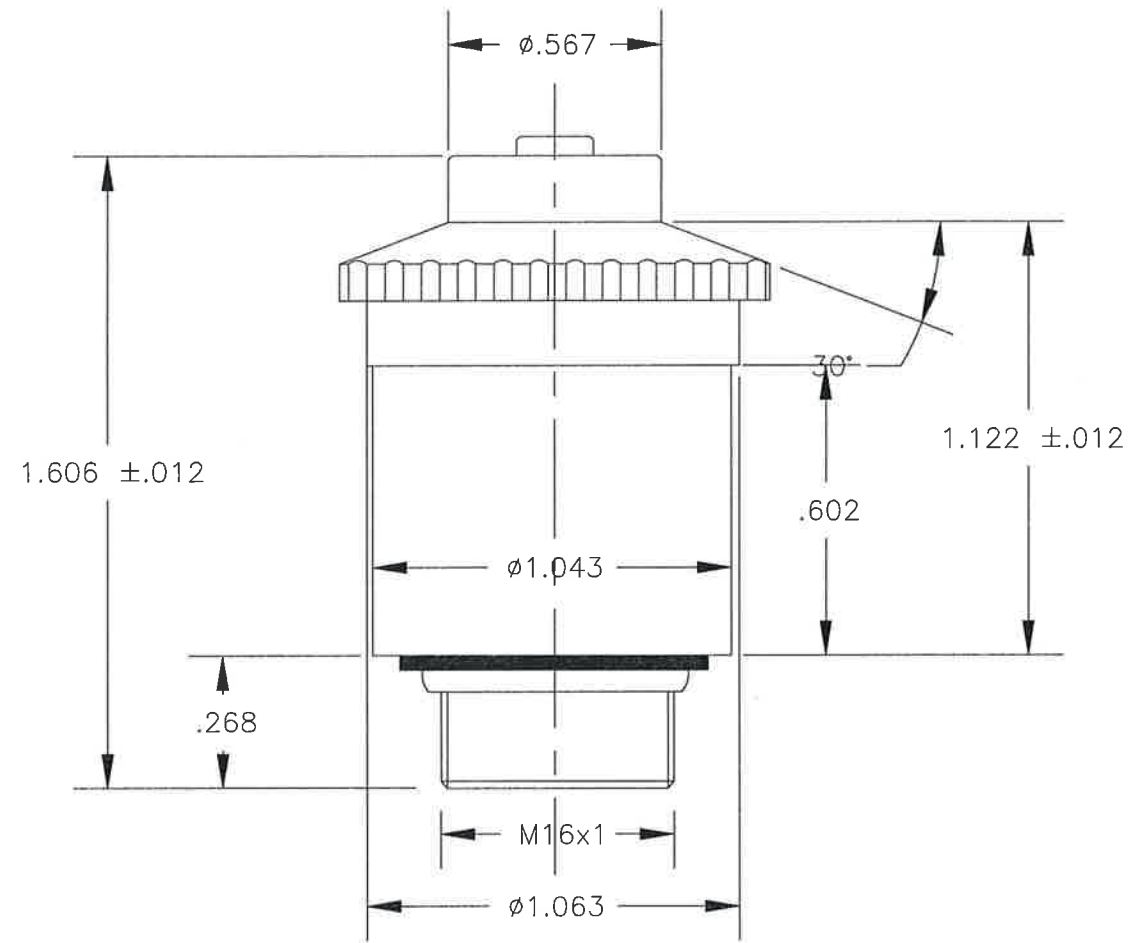
REV	DCO'S AFFECTING THIS DRAWING	DATE	APPROVED
A	INITIAL REL. # 2894	2/8/08	D.L.
D	DCO # 4234 UPDATED REQUIREMENTS	8/29/12	D.L.

1. Output:
8.0 to 13.0 mV in air at 1013 millibar pressure, 50% RH and 25°C
2. Operating Temperature:
10° to 40 °C
3. Maximum Storage Temperature:
-20° to 50 °C
4. Optimal Storage Temperature:
5° to 30 °C
5. Range of Measurement (Full Scale):
0 to 100% oxygen
6. Zero Offset:
≤ .200 mV in 100% nitrogen after 5 min.
7. 90% Response Time:
Less than or equal to 6 seconds at 25°C
8. Linearity:
≤ 3% when calibrated in 100% oxygen

9. Stability:
Less than 1% of full scale over an 8 hour period at constant temperature, pressure, and humidity.
10. Interference:
Less than 2% of full scale in presence of 75% Nitrous oxide
Less than 2% of full scale in presence of 5% Halothane
Less than 2% of full scale in presence of 5% Isoflurane
Less than 2% of full scale in presence of 5% Enflurane
Less than 2% of full scale in presence of 6% Sevoflurane
Less than 2% of full scale in presence of 15% Desflurane
Less than 2% of full scale in presence of 10% Carbon Dioxide
Less than 2% of full scale in presence of 70% Helium
11. Expected Life
>1,000,000%—oxygen—hours under normal operating conditions
12. Humidity
up to 100% Relative Humidity non—condensing
13. Electrical Interface
3—Pin Molex

AUTHORIZED COPY
 AUG 29 2011
EFFECTIVE DATE
 VALID ONLY IF THIS STAMP IS RED

UNLESS OTHERWISE SPECIFIED DIMENSIONS ARE IN INCHES AND PER ANSI Y14.5-1982				maxtec [®] SALT LAKE CITY, UTAH 84107			
		ANGLES ±1'30'		SPECIFICATIONS, MAX-12C OXYGEN SENSOR			
QA T. LAVERY	8/28/12	PREP A. BOARDMAN	1/22/08	SIZE B	FSCM NO. 1S815	NUMBER R109P54	REV D
MFG E. MEADS	8/28/12	CHKR G. PEKAR	2/8/08	SCALE NONE		SHEET 1 OF 2	
		ENG C. CINDRICH	8/29/12	PROPRIETARY INFORMATION			



AUTHORIZED COPY
 AUG 29 2011
 EFFECTIVE DATE
 VALID ONLY IF THIS STAMP IS RED

SIZE B	FSCM NO. 1S815	NUMBER R109P54	REV D
SCALE NONE	SHEET 2 OF 2		PROPRIETARY INFORMATION