

ALL CHARACTERISTICS ARE BASED ON CONDITIONS AT 25°C, 50% RH AND 1013 hPa

REV	DCO'S AFFECTING THIS DRAWING	DATE	APPROVED
A	INITIAL REL. # 3346	4/5/10	<i>OK</i>

1. Output:

400uA ± 120uA ambient air

2. Operation:

- 1. Temperature: 0 to 50° C
- 2. Ambient Pressure: 600 to 1750 hPa
- 3. Relative Humidity: Up to 100% Rh

3. Storage Temperature Range:

-0 to 45° C
5 to 25° Recommended

4. Range of Measurement (Full Scale):

1 to 10,000 ppm O₂

5. Response Times (in operation):

- <20 s from 10,000 down to 1,000 ppm
- <60 s from 1,000 down to 10 ppm
- <5 h from 10 ppm down to 1 ppm

6. Linearity Error:

± 2% of signal

7. Expected Operating Life:

2 years, depending on humidity and O₂ concentration.

8. Electrical Interface:

2x slip-rings on PCB

AUTHORIZED COPY
APR 13 2010
EFFECTIVE DATE
VALID ONLY IF THIS STAMP IS RED

UNLESS OTHERWISE SPECIFIED
DIMENSIONS ARE IN INCHES
AND PER ANSI Y14.5-1982

.XX = ±.01
.XXX = ±.005
.XXXX = ±.002

ANGLES
±1'30"

maxtec®
SALT LAKE CITY, UTAH 84107

SPECIFICATION,
MAX-41A OXYGEN SENSOR



PREP
D. LARSEN
4/5/10

CHKR
4/8/10

ENG
4/8/10

SIZE
B

FSCM NO.
1S815

NUMBER
R113P17

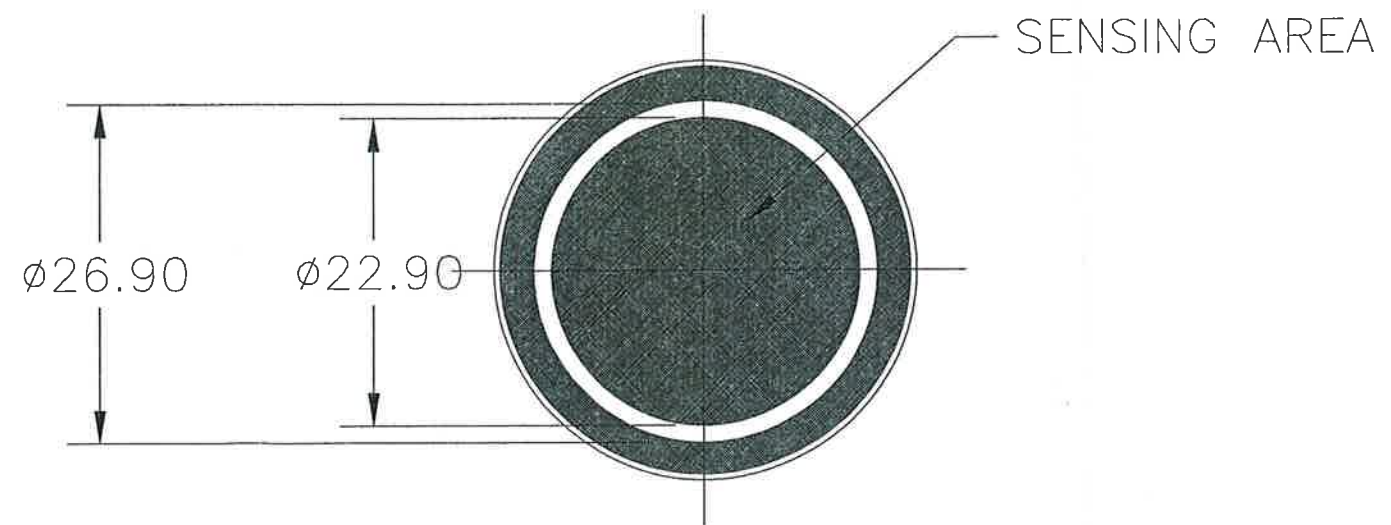
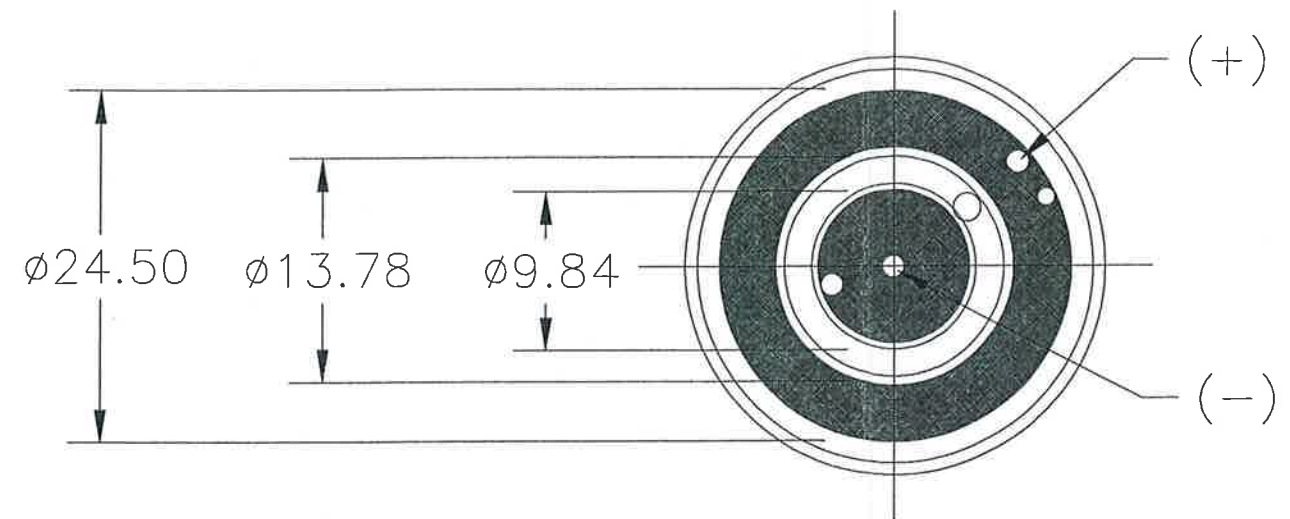
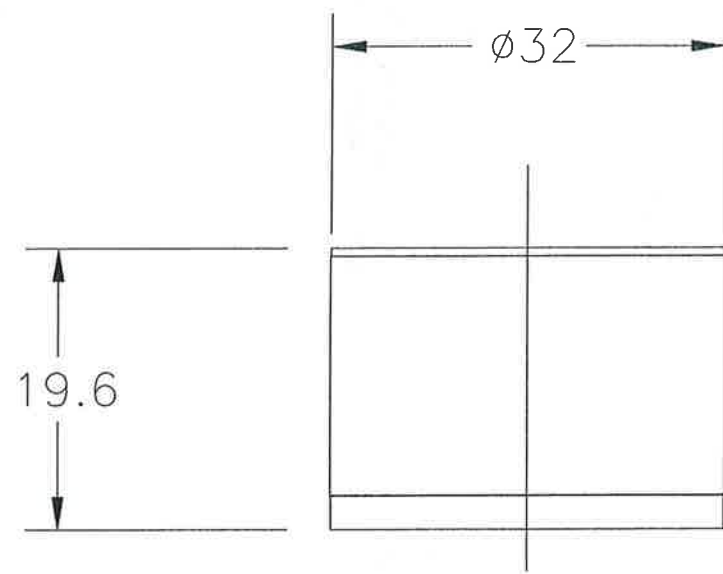
REV
A

SCALE NONE

SHEET 1 OF 2

PROPRIETARY INFORMATION
MAXTEC INC.

A R113P17 A



NOTES UNLESS OTHERWISE SPECIFIED

1. DIMENSIONS ARE FOR AN UNLABELED SENSOR.

AUTHORIZED COPY
 APR 13 2010
 EFFECTIVE DATE
 VALID ONLY IF THIS STAMP IS RED

SIZE B	FSCM NO. 1S815	NUMBER R113P17	REV A
SCALE NONE		SHEET 2 OF 2	

PROPRIETARY INFORMATION
 MAXTEC INC.

R113P17 A