

ALL CHARACTERISTICS ARE BASED ON CONDITIONS AT 25°C, 50% RH AND 1013 hPa

1. Output:
25 mV ±5 mV @ ambient air

2. Operation:

1. Temperature: 0° – 45° C
2. Pressure Range: 750 – 1750 hPa
3. Influence of Humidity: -0.03% rel. Q_2 reading / % RH

3. Storage Temperature Range:
-20° to 55° C
5° to 30° C Recommended

4. Range of Measurement (Full Scale):
0 to 65 Vol %

5. 90% Response Time:
<150 ms

6. Linearity Error:
<2% @ 65 Vol. %

7. Stability:
<1% volume Q_2 per day

8. Interference: <0.3% Q_2 response to:

- 80.0 % N_2O balance N_2
- 7.5% Halothane balance N_2
- 7.5% Isoflurane balance N_2
- 7.5% Enflurane balance N_2
- 9.0 % Sevoflurane balance N_2
- 20.0% Desflurane balance N_2
- 10.0% CO balance N_2

9. Nominal Sensor Life:
=150,000% hours Q_2

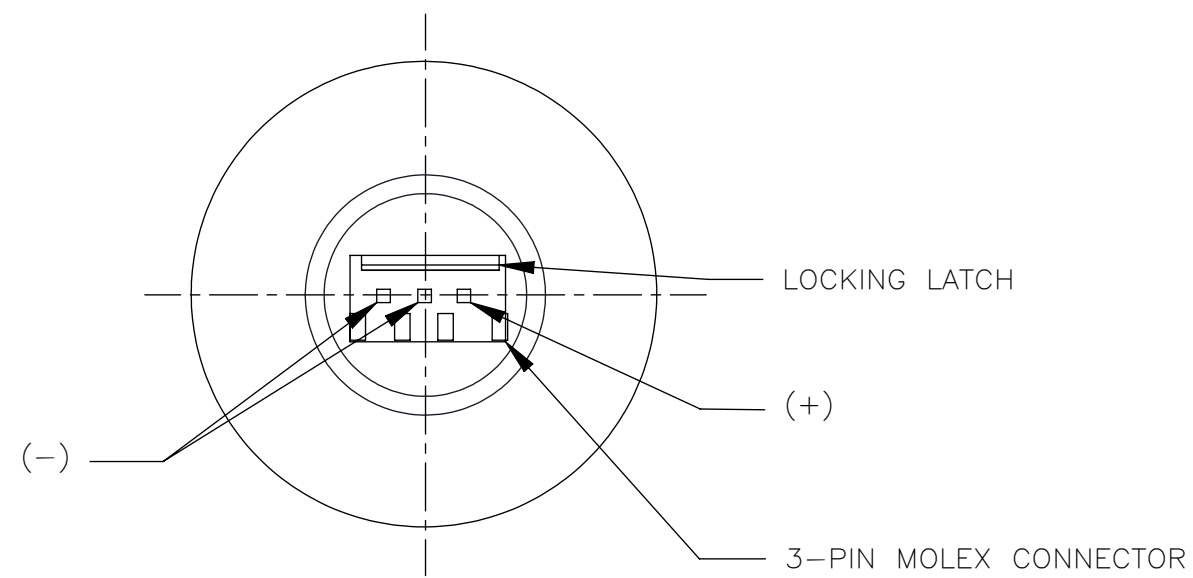
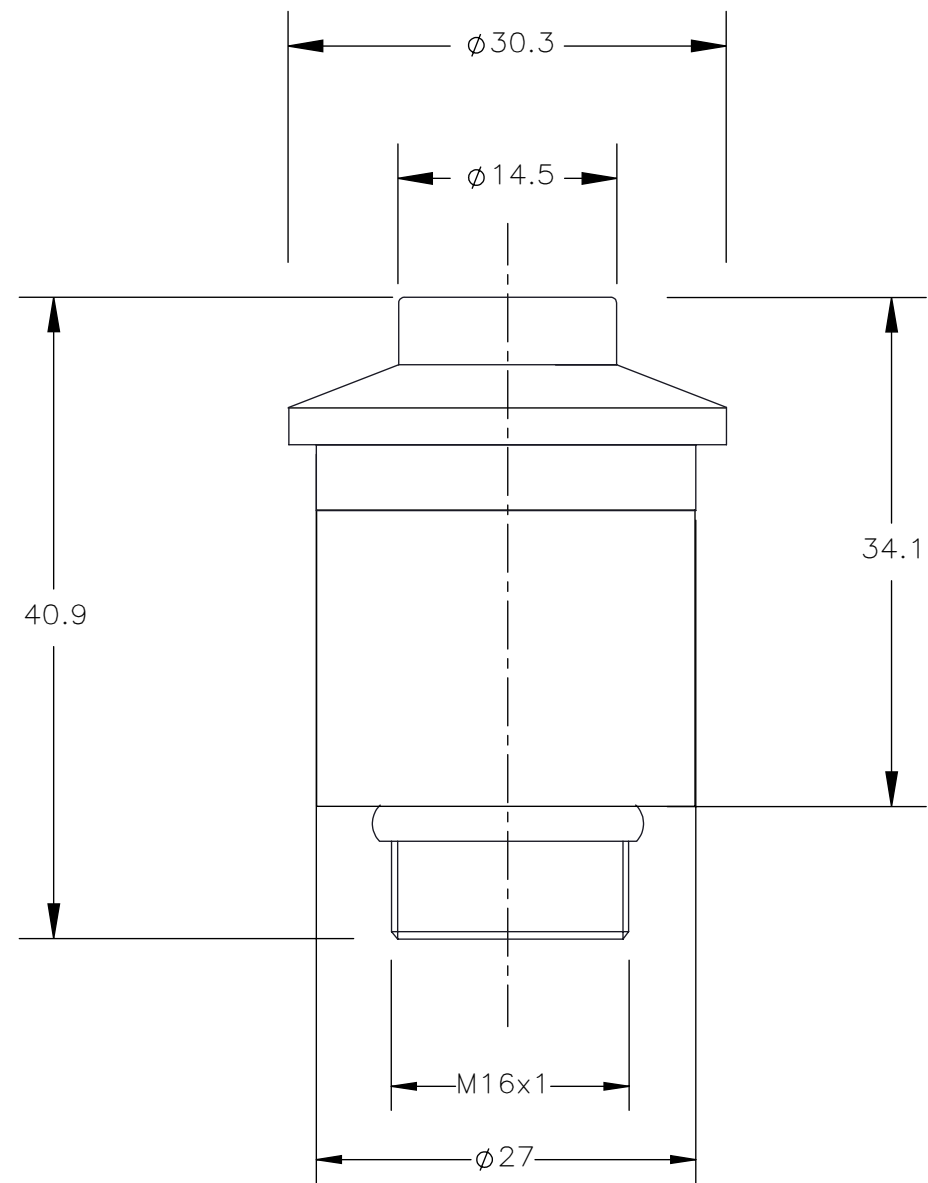
10. Electrical Interface:
3-pin molex connector

Released

TP-0001 REV 01

REVISION DETAIL UPDATED DRAWING FOR PRODUCT REINSTATEMENT.		mextec ® SALT LAKE CITY, UTAH		SPECIFICATION, MAX-65F OXYGEN SENSOR	
UNLESS OTHERWISE SPECIFIED DIMENSIONS ARE IN INCHES AND PER ASME Y14.5-2009 .XX = ± .01 ANGLES ± 0° 30' .XXX = ± .005 .XXXX = ± .002		SIZE B	DWG. NO. R113P19	REV D	
DRAWN BY: Z. HANSEN	DATE: 11/19/18	SCALE: 1:1		SHEET 1 OF 2	

Released



TP-001 REV 01

SIZE	DWG. NO.	REV
B	R113P19	D
SCALE: 1:1		SHEET 2 OF 2

1 PROPRIETARY INFORMATION OF MAXTEC