

ALL CHARACTERISTICS ARE BASED ON CONDITIONS AT 25°C, 50% RH AND 1013 hPa

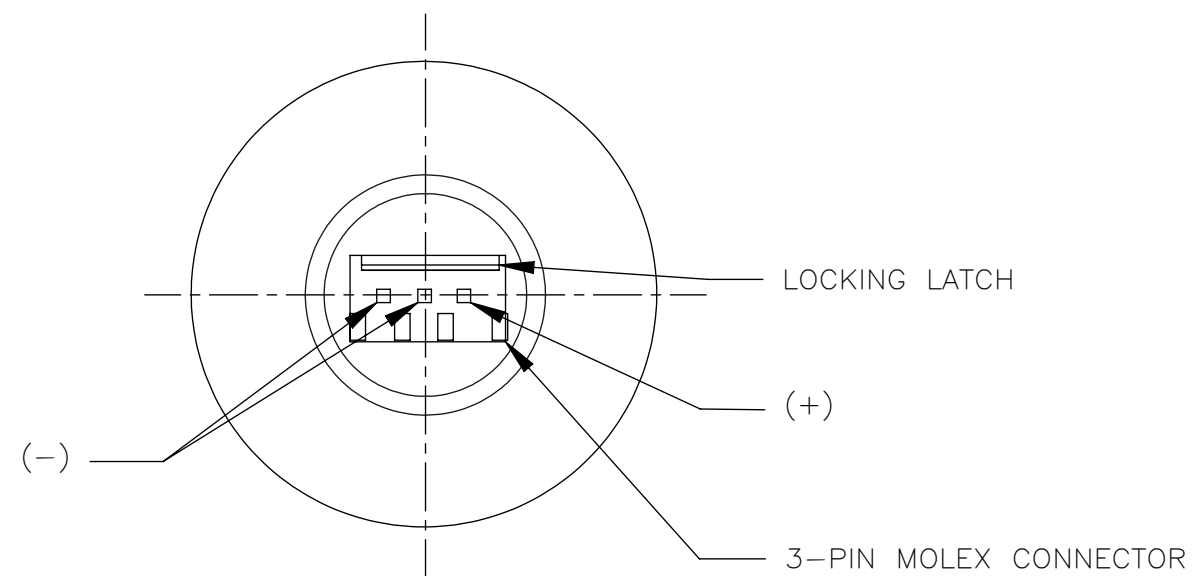
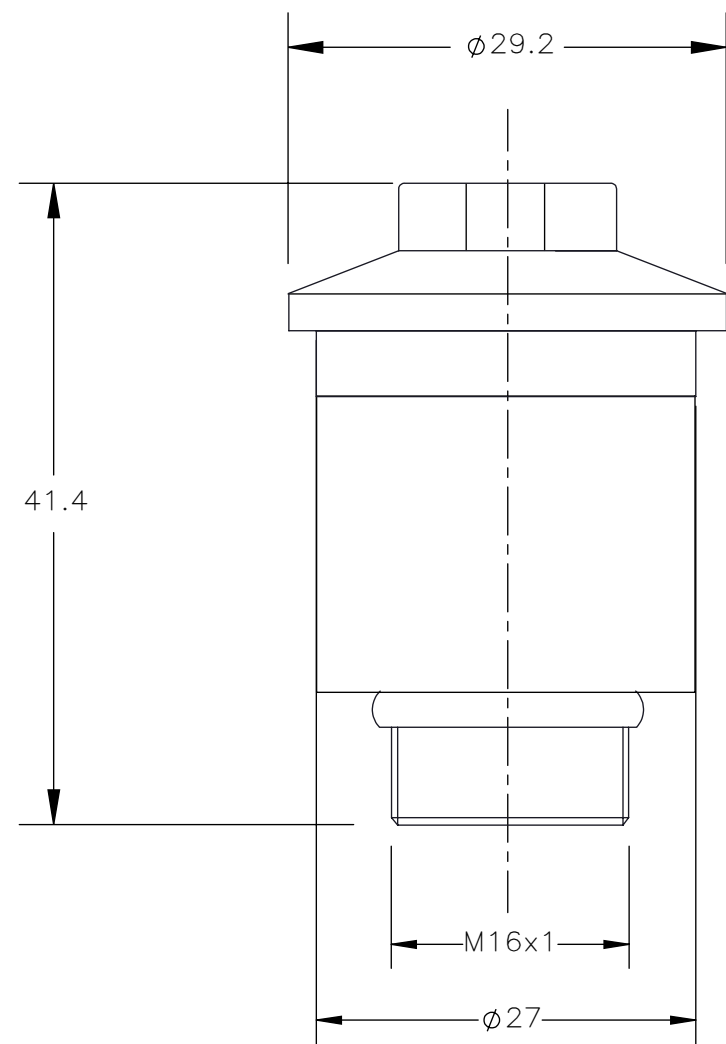
1. Output:
Signal Delivery Condition: 10.5 – 13.5 mV @ dry ambient air
Signal Range: 5–20 mV @ dry ambient air
2. Operation:
 1. Temperature: 0° – 50° C
 2. Pressure Range: 750 – 1250 hPa
 3. Influence of Humidity: -0.03% rel. O_2 reading / % RH
3. Storage Temperature Range:
-15° to 60° C
5° to 30° C Recommended
4. Range of Measurement (Full Scale):
0.5 to 35 Vol %
5. 90% Response Time:
<5 seconds
6. Linearity Error:
0–2% oxygen: ± 0.1% absolute
2.1–35% oxygen ± 0.5% relative
7. Stability:
<3% per month
8. Interference: <20 ppm O_2 response to:
 - 100 Vol. % CO
 - 100 Vol. % CO_2
 - 100 Vol.% C_3H_8
 - 1,000 ppm Benzene, balance N_2
 - 2,000 ppm H_2S , balance N_2
 <20.000 ppm O_2 response to:
 - 3,000 ppm NO, balance N_2
 - 1,000 ppm H_2 , balance N_2
 - 500 ppm SO_2 , balance N_2
9. Nominal Sensor Life:
>1,200,000 Vol.% h
10. Electrical Interface:
3-pin molex connector

Released

TP-0001 REV 01

REVISION DETAIL UPDATED DRAWING FOR PRODUCT REINSTATEMENT		mextec ® SALT LAKE CITY, UTAH		SPECIFICATION, MAX-81i OXYGEN SENSOR	
UNLESS OTHERWISE SPECIFIED DIMENSIONS ARE IN INCHES AND PER ASME Y14.5-2009		.XX = ± .01 ANGLES ± 0°30' .XXX = ± .005 .XXXX = ± .002		SIZE B	DWG. NO. R113P21
DRAWN BY: Z. HANSEN		DATE: 11/19/18		REV C	SCALE: 1:1 SHEET 1 OF 2

Released



TP-001 REV 01

SIZE	DWG. NO.	REV
B	R113P21	C
SCALE: 1:1		SHEET 2 OF 2

PROPRIETARY INFORMATION OF MAXTEC