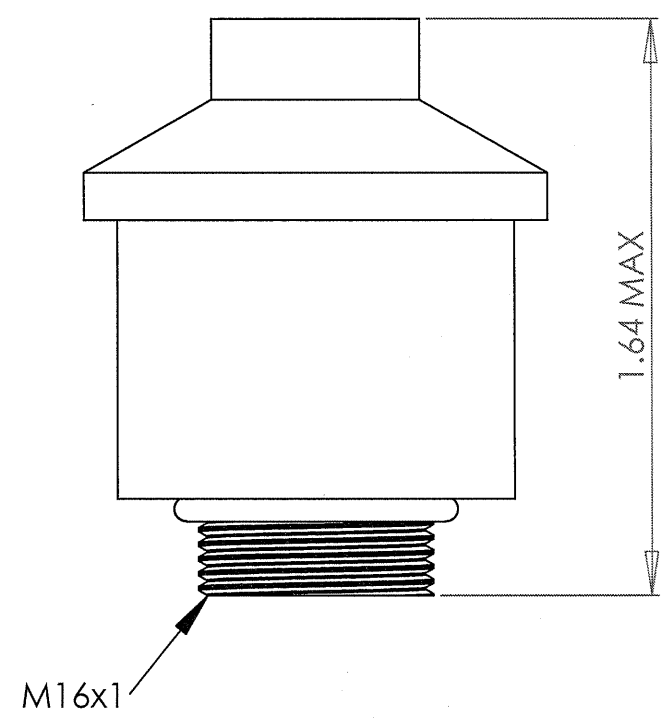
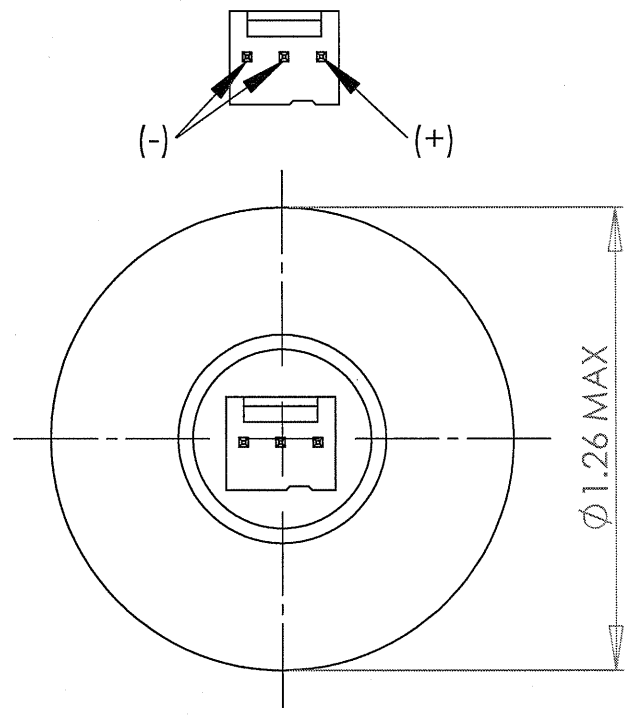


REV	DCO'S AFFECTING THIS DRAWING	DATE	APPROVED
A	INITIAL REL. DCO # 1643	10/10/00	D. LARSEN
E	DCO # 5587 UPDATED TABLE	4/18/16	D. LARSEN

**ELECTRICAL INTERFACE**



SPECIFICATION	
RANGE OF MEASUREMENT:	0 TO 100%
OUTPUT RANGE:	9.0 TO 16.0 mV
ZERO OFFSET:	≤0.250 mV WHEN EXPOSED TO 100% NITROGEN
90% RESPONSE TIME:	≤12 SECONDS
LINEARITY:	≤3% FULL SCALE ERROR MAXIMUM
DRIFT:	≤1% VOLUME O2 PER MONTH IN AIR
EXPECTED LIFETIME:	>1,000,000 %O2 HOURS
TEMPERATURE COMPENSATION:	NTC
OPERATIONAL TEMPERATURE RANGE:	10° TO 40°C
STORAGE TEMPERATURE RANGE:	-20° TO 50°C
HUMIDITY RANGE:	0% TO 99% RH, NON-CONDENSING
AMBIENT PRESSURE RANGE:	700-1250mBAR
INTERFERENCE:	PER EN ISO 80601-2-55
INFLUENCE OF HUMIDITY:	-0.03%REL. O2 READING PER %RH
ELECTRICAL INTERFACE:	3 PIN MOLEX

ALL PRODUCT SPECIFICATIONS ARE APPLICABLE AT STANDARD CONDITIONS  
25C AND 1013 mBAR

UNLESS OTHERWISE SPECIFIED  
DIMENSIONS ARE IN INCHES  
AND PER ANSI Y14.5-1982

.XX = ±.01  
.XXX = ±.005  
.XXXX = ±.002

ANGLES  
±1°30"

ORIGINATOR  
D. LARSEN

10/9/00

Q.A.  
D. PLOWMAN

1/28/16

CHECKED  
R. ERICKSON

5/25/15

MFG  
E. MEADS

2/8/16

ENG  
M. SWANK

1/26/16

**mextec**<sup>®</sup>  
SALT LAKE CITY, UTAH

**SPECIFICATION  
MAX-16 OXYGEN SENSOR**

SIZE DWG. NO.

**B** R114P71

REV

**E**

SCALE: 2:1

SHEET 1 OF 1