

ALL PRODUCT SPECIFICATIONS ARE APPLICABLE AT STANDARD CONDITIONS:
1013 MILLIBAR, 25° C DRY AIR.

REV	DCO'S AFFECTING THIS DRAWING	DATE	APPROVED
A	INITIAL REL. #1585	6/7/00	D. LARSEN
E	DCO # 5396 CHANGED CONNECTOR -002 TO TR2A	7/15/15	D. LARSEN

1. Output:
13.0 to 17.0 mV
2. Operation:
Temperature: 0° – 40° C
Pressure: 600 – 1750 mBar
Relative Humidity: up to 100% RH
(Condensing atmosphere over several hours)
3. Storage Temperature Range:
–20° to 60 °C
5° to 30°C Recommended
4. Range of Measurement (Full Scale):
0 to 100% oxygen
5. Zero Offset:
Less than or equal to 0.20 mV when exposed to 100% nitrogen for 5 minutes
6. 90% Response Time:
Less than or equal to 13 seconds
7. Linearity:
<3% error
8. Stability:
Less than 1% of full scale over an 8 hour period between 20% and 100% Oxygen.

9. Repeatability:
±1% volume oxygen @ 100% applied for 5 minutes
10. Interference:
Less than .5% oxygen response to 80% Nitrous oxide
Less than .5% oxygen response to 7.5% Halothane
Less than .5% oxygen response to 7.5% Isoflurane
Less than .5% oxygen response to 7.5% Enflurane
Less than .5% oxygen response to 9% Sevoflurane
Less than .5% oxygen response to 20% Desflurane
Less than .5% oxygen response to 10% Carbon Dioxide
11. Nominal Life:
> 1,000,000% oxygen hours under normal operating conditions
12. Warm-up Time:
Less than 30 minutes after replacement of sensor
13. Electrical Interface:
R115P01–001 and R115P03 USE KOBICON CONNECTOR P/N RM–558
3.5 mm Male Phone Plug (Tip = Negative)
attached to 26 AWG cable.

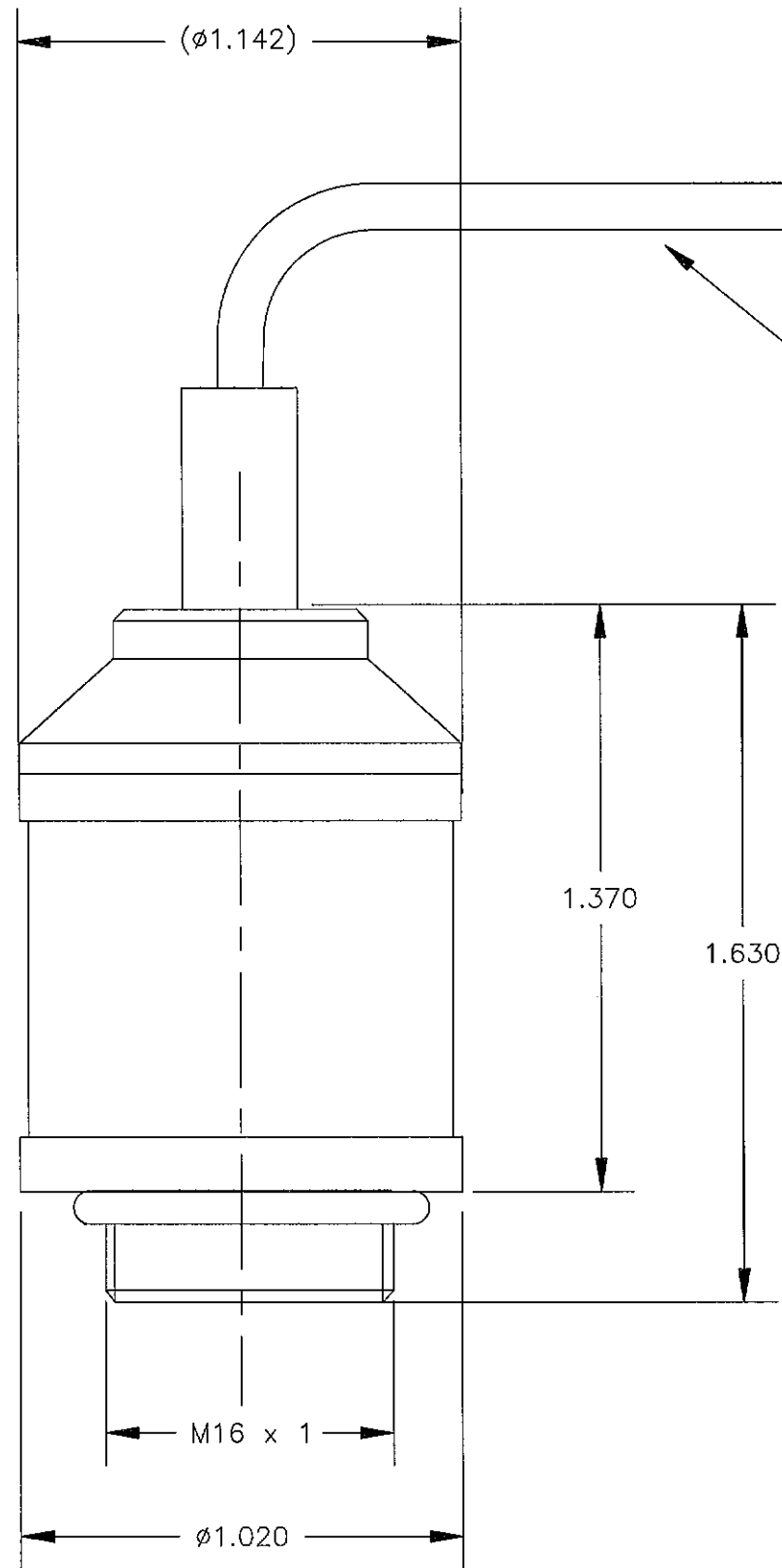
R115P03–002 USE SWITCHCRAFT P/N TR2A
2.5 mm Female Phone Receptacle (Tip = Negative)

UNLESS OTHERWISE SPECIFIED
DIMENSIONS ARE IN INCHES
AND PER ANSI Y14.5–1982

maxtec®
SALT LAKE CITY, UTAH

SPECIFICATIONS
MAX–13C OXYGEN SENSOR

QA T. LAVERY	7/8/15	PREP D. LARSEN	6/7/00	SIZE B	FSCM NO. 1S815	NUMBER R115P02	REV E
MFG E. MEADS	7/14/15	CHKR D. GOETZ	6/7/00	SCALE NONE		SHEET 1 OF 3	
		ENG M. SWANK	7/7/15				

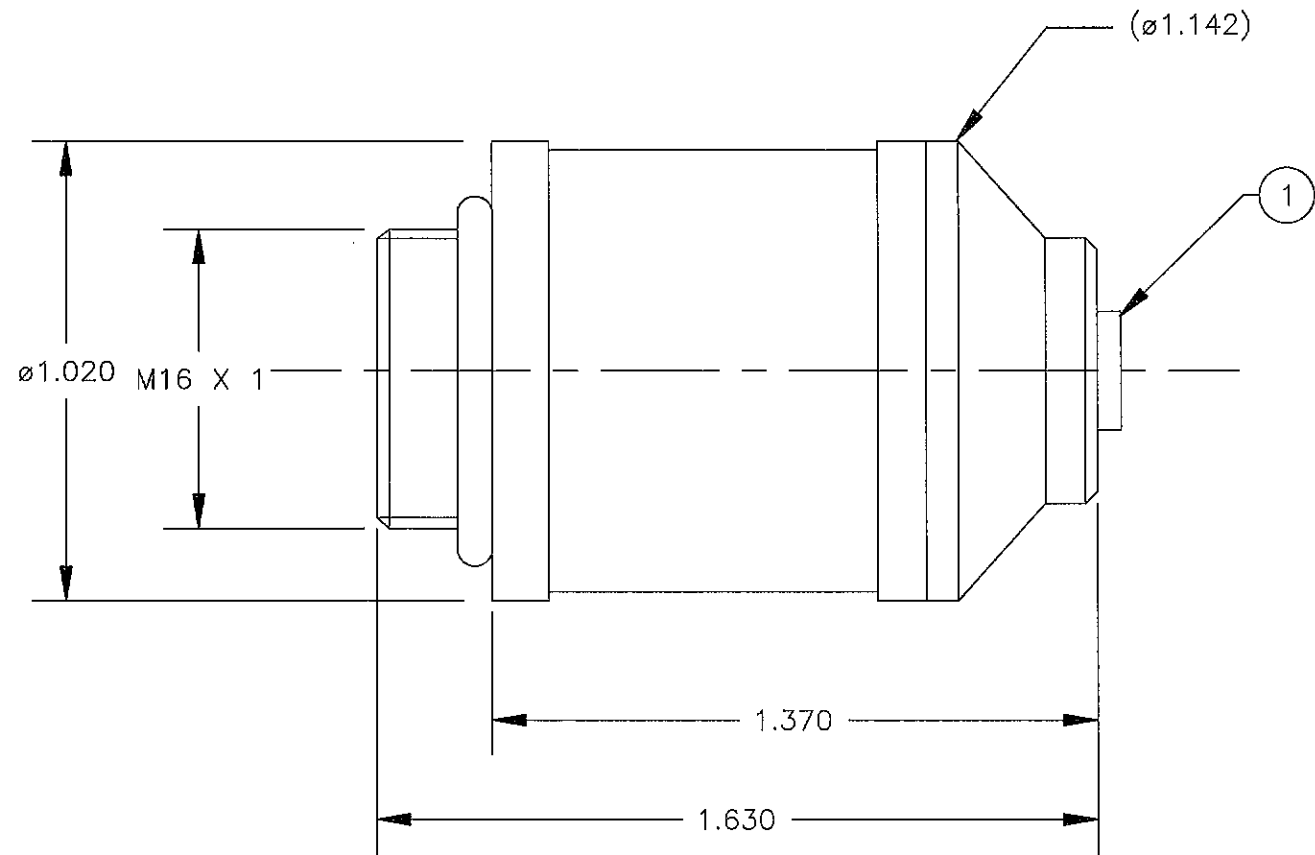


26 AWG, 2 CONDUCTOR CABLE
(LENGTH: 7-11 INCHES)

(+)
(-)
R115P01-001 AND R115P03
USES KOBICON CONNECTOR

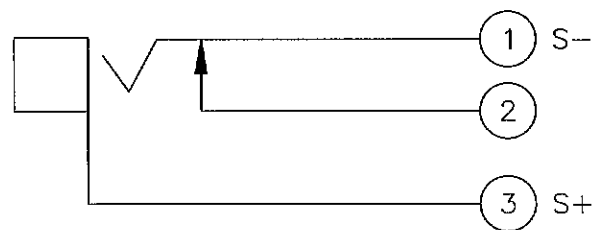
SIZE B	FSCM NO. 1S815	NUMBER R115P02	REV E
SCALE NONE		SHEET 2 OF 3	

ITEM	QTY	U/M	DESCRIPTION	APPROVED MFR. #1	DIGIKEY PN
1	1	EA	PHONO JACK .101 SUBMINI 2COND	SWITCHCRAFT INC: TR2A	SC1514-ND

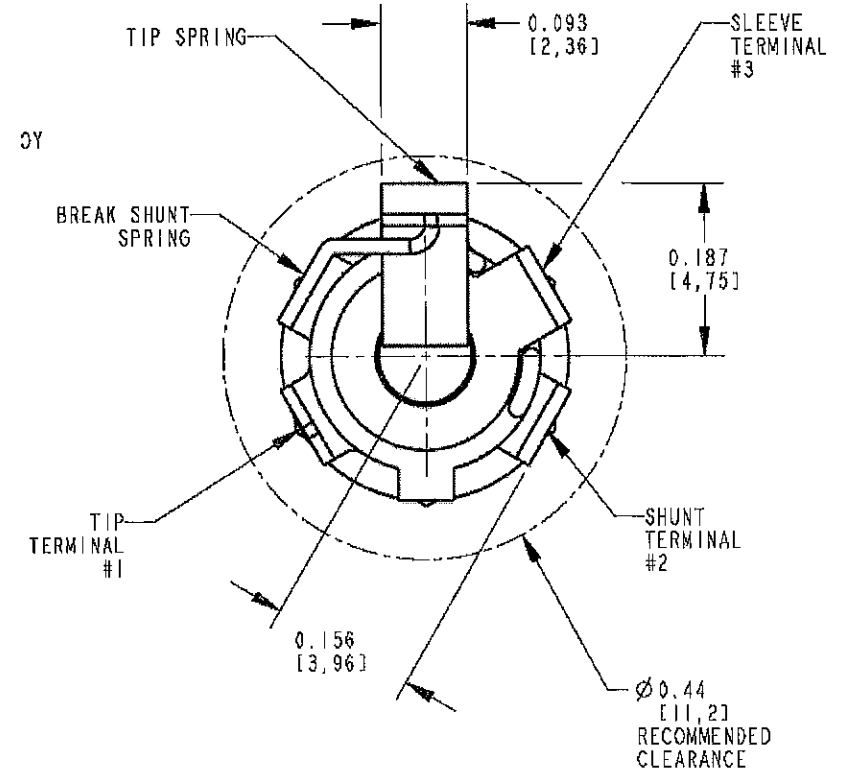


PIN LEGEND.		
PIN	WIRE	FUNCTION
1-TIP	BLACK	S-
2-SHUNT		
3-SLEEVE	WHITE	S+

R115P03-002
 USES SWITCHCRAFT
 TR2A OR EQUIVALENT
 CONNECTOR



SCHEMATIC



TR2A TERMINATION DETAIL

SIZE B	FSCM NO. 1S815	NUMBER R115P02	REV E
SCALE NONE		SHEET 3 OF 3	