

ALL SPECIFICATIONS APPLY AT 1013 MILLBAR, 25°C, DRY AMBIENT AIR.

REV	DCO'S AFFECTING THIS DRAWING	DATE	APPROVED
A	INITIAL REL. # 1288	4/9/99	D.L.
B	DCO # 3808 UPDATED TEMPERATURES	8/24/11	D.L.

1. Output:
12 ± 2 mV
2. Operating Temperature:
0° C to 40° C
3. Maximum Storage Temperature:
-20° C to 50° C
(Recommended: 5° C to 30° C)
4. Electrical Connector:
Type 712A Switchcraft Power Jack
5. Range of Measurement (Full Scale):
0 to 100% oxygen
6. Zero Offset:
Less than or equal to 0.20 mV when exposed to 100% nitrogen, applied for 5 minutes
7. 90% Response Time:
Less than or equal to 5 seconds
8. Linearity:
Within ± 3.0% of full scale
9. Stability:
Less than 1% of full scale over an 8 hour period at constant temperature, pressure, and humidity. (between 20% - 100% oxygen)
10. Interference:
Less than 0.5% of full scale in presence of 80% Nitrous oxide
Less than 0.5% of full scale in presence of 7.5% Halothane
Less than 0.5% of full scale in presence of 7.5% Isoflurane
Less than 0.5% of full scale in presence of 7.5% Enflurane
Less than 0.5% of full scale in presence of 9% Sevoflurane
Less than 0.5% of full scale in presence of 20% Desflurane
Less than 0.5% of full scale in presence of 10% Carbon Dioxide
11. Temperature Compensation:
Less than ± 3.5% of full-scale error from 15° to 40° C
12. Expected Life:
>500,000% oxygen hours under normal operating conditions
13. Humidity:
5% to 95% Relative Humidity non-condensing
14. Warm-up Time:
Less than 30 minutes, after replacement of sensor

UNLESS OTHERWISE SPECIFIED
DIMENSIONS ARE IN INCHES
AND PER ANSI Y14.5-1982

.XX = ±.01
.XXX = ±.005
.XXXX = ±.002

ANGLE
±.1'30"

maxtec™
SALT LAKE CITY, UTAH 84119

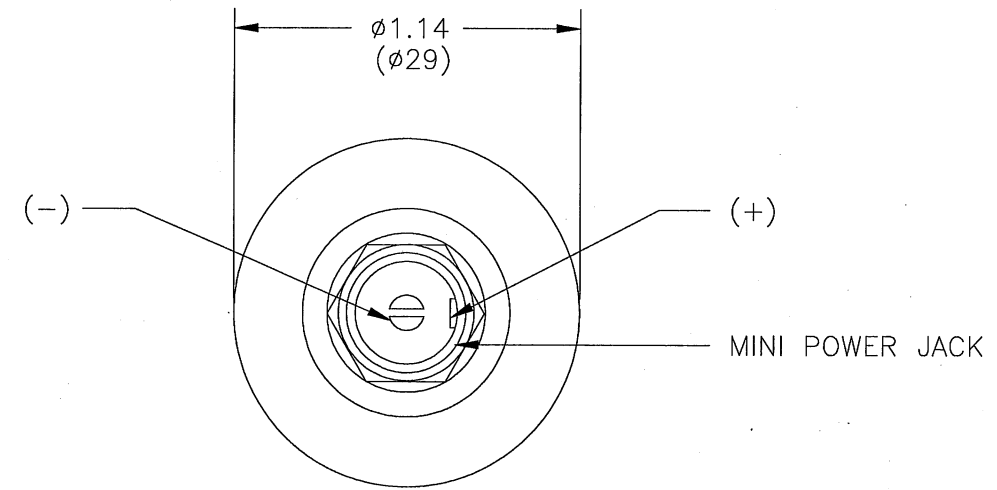
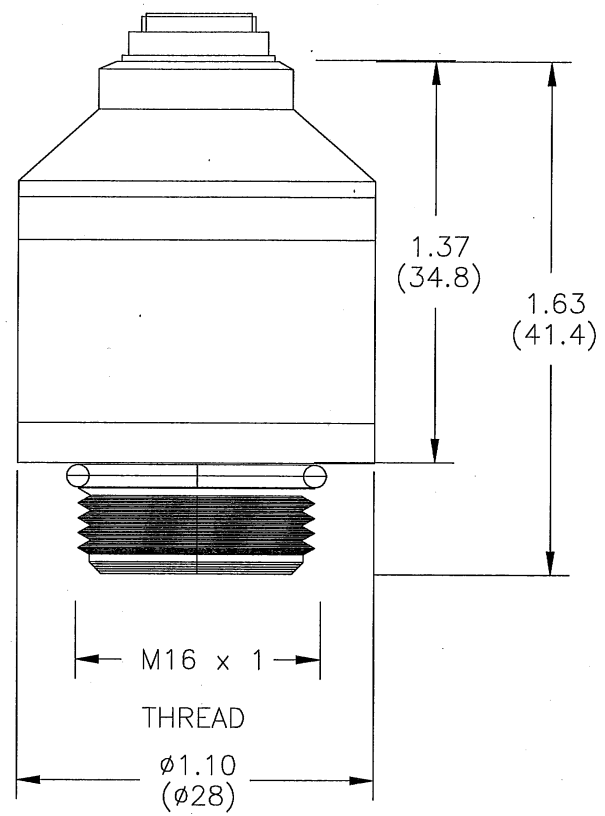
SPECIFICATION,
MAX-250ESF OXYGEN SENSOR

QA T. LAVERY	8/15/11	PREP D. LARSEN	4/3/99
MFG E. MEADS	8/15/11	CHKR D. GOETZ	4/9/99
		ENG C. CINDRICH	8/10/11

SIZE B	FSCM NO. 1S815	NUMBER R115P81	REV B
SCALE NONE		SHEET 1 OF 2	

PROPRIETARY INFORMATION
MAXTEC

R115P81



NOTE:

1. DIMENSIONS IN INCH (mm)

SIZE B	FSCM NO. 1S815	NUMBER R115P81	REV B
SCALE NONE		SHEET 2 OF 2	

PROPRIETARY INFORMATION

R115P81 B