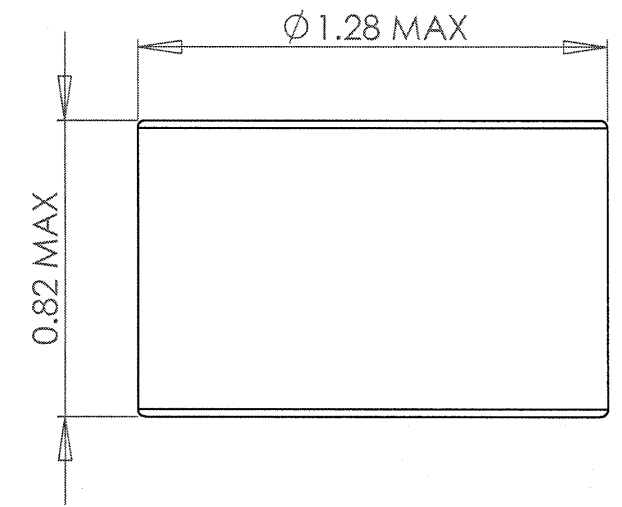
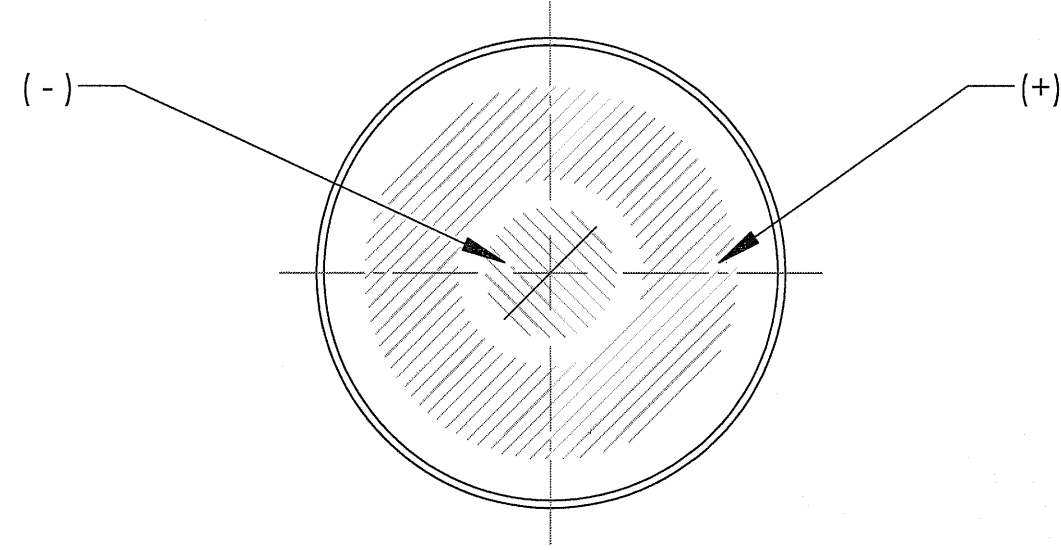


REV	DCO'S AFFECTING THIS DRAWING	DATE	APPROVED
A	INITIAL REL. DCO # 719	1/24/97	A.R.
G	DCO # 5587 UPDATED TABLE	4/15/16	D. LARSEN

**ELECTRICAL INTERFACE  
GOLD- PLATED SLIP RINGS**



SPECIFICATION	
RANGE OF MEASUREMENT:	0 TO 100%
OUTPUT RANGE:	170 TO 230 $\mu$ A
ZERO OFFSET:	<5 $\mu$ A WHEN EXPOSED TO 100% NITROGEN
90% RESPONSE TIME:	<20 SECONDS
LINEARITY:	$\leq$ 3% FULL SCALE
DRIFT:	$\leq$ 2% VOLUME O2 PER MONTH IN AIR
EXPECTED LIFETIME:	>250,000 %O2 HOURS
TEMPERATURE COMPENSATION:	NONE
OPERATIONAL TEMPERATURE RANGE:	10° TO 40°C
STORAGE TEMPERATURE RANGE:	-20° TO 50°C
HUMIDITY RANGE:	0% TO 99% RH, NON-CONDENSING
AMBIENT PRESSURE RANGE:	700-1250mBAR
INTERFERENCE:	PER EN ISO 80601-2-55
INFLUENCE OF HUMIDITY:	-0.03%REL. O2 READING PER %RH
ELECTRICAL INTERFACE:	GOLD-PLATED SLIP RINGS

ALL PRODUCT SPECIFICATIONS ARE APPLICABLE AT STANDARD CONDITIONS  
25C AND 1013 mBAR

UNLESS OTHERWISE SPECIFIED DIMENSIONS ARE IN INCHES AND PER ANSI Y14.5-1982		<b>mextec</b> <sup>®</sup> SALT LAKE CITY, UTAH	
.XX = $\pm$ .01 .XXX = $\pm$ .005 .XXXX = $\pm$ .002	ANGLES $\pm$ 1°30'	<b>SPECIFICATION MAX-19 OXYGEN SENSOR</b>	
ORIGINATOR E. CUTLER	1/13/97	SIZE <b>B</b>	DWG. NO. R116P65
Q.A. D. PLOWMAN	1/28/16	SCALE: 2:1	
CHECKED A. DEVLIN	7/16/15		
MFG E. MEADS	2/8/16	SHEET 1 OF 1	
CHECKED M. SWANK	1/26/15	REV <b>G</b>	