

REV	DCO'S AFFECTING THIS DRAWING	DATE	APPROVED
A	INITIAL REL. DCO # 1900	10/30/02	D.L.
C	DCO # 4462 UPDATED SPECS	01/04/13	L.L.

1. Output:
12.0 to 17.0 mV in air at 1013 millibar pressure and a temperature range of 23±2 °C

2. Operating Temperature:
5° to 40 °C

3. Maximum Storage Temperature:
-15° to 50 °C

4. Optimal Storage Temperature:
5° to 25 °C

5. Range of Measurement (Full Scale):
0 to 100% oxygen

6. Zero Offset:
Less than or equal to 0.50 mV when exposed to 99.9% to 100% nitrogen

7. 90% Response Time:
Less than or equal to 15 seconds at 23±2 °C

8. Linearity:
Within +/- 1.0% of full scale

9. Stability:
Less than 1% of full scale over an 8 hour period at constant temperature, pressure, and humidity.

10. Interference:
Less than 2% of full scale in presence of 75% Nitrous oxide
Less than 2% of full scale in presence of 5% Halothane
Less than 2% of full scale in presence of 5% Isoflurane
Less than 2% of full scale in presence of 5% Enflurane
Less than 2% of full scale in presence of 6% Sevoflurane
Less than 2% of full scale in presence of 15% Desflurane
Less than 2% of full scale in presence of 10% Carbon Dioxide
Less than 2% of full scale in presence of 70% Helium

11. Temperature Compensation:
Less than ± 3.0% from 15° to 40°C

12. Expected Life
> 1,500,000% oxygen hours under normal operating conditions

13. Humidity
5% to 95% Relative Humidity non-condensing

14. Electrical Interface:
3.5mm MonoJack, Female
(center = negative (-))

UNLESS OTHERWISE SPECIFIED
DIMENSIONS ARE IN INCHES
AND PER ANSI Y14.5-1982

.XX = ±.01
.XXX = ±.005
XXXX = ±.002

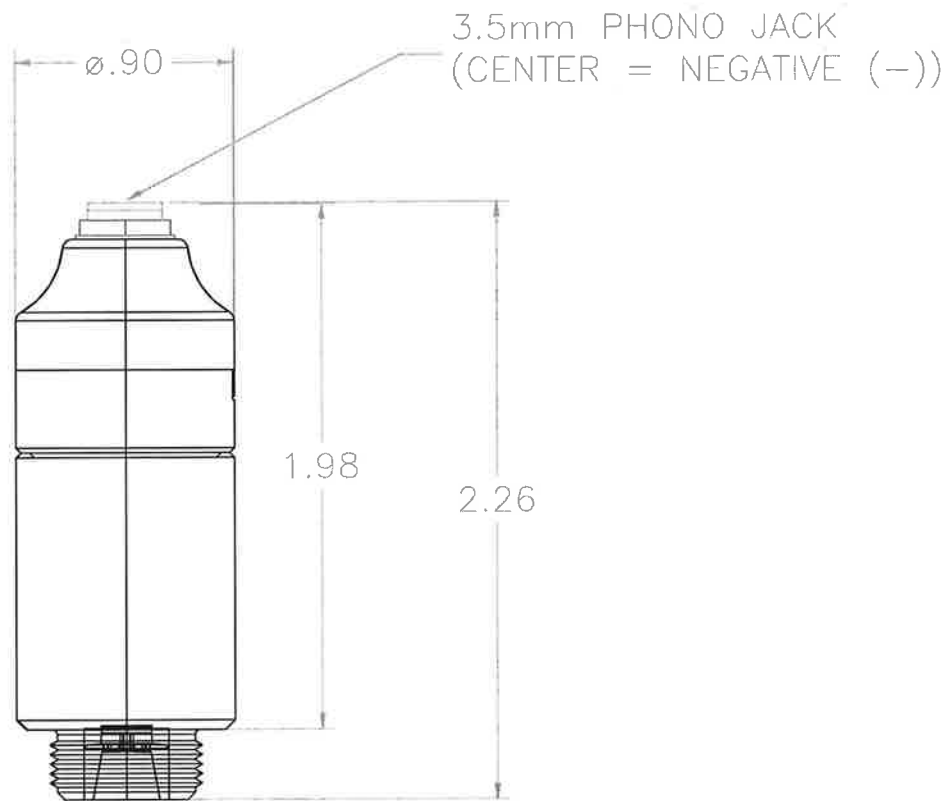
ANGLES
±1'30"

QA	PREP	CHKR	ENG
G. ROTH	D. LARSEN	D. GOETZ	T. MARSHALL
3/27/13	10/30/02	11/5/02	2/12/13

mactec® SALT LAKE CITY, UTAH 84107			
SPECIFICATIONS MAX-13-250 OXYGEN SENSOR			
SIZE	FSCM NO.	NUMBER	REV
B	1S815	R125P08	C
SCALE NONE			SHEET 1 OF 2

PROPRIETARY INFORMATION
Mactec

R125P08 C



M16 x 1 Thread

3.5mm PHONO JACK
(CENTER = NEGATIVE (-))

SIZE B	FSCM NO. 1S815	NUMBER R125P08	REV C
SCALE NONE	SHEET 2 OF 2		PROPRIETARY INFORMATION MAXTEC

R125P08 C