

REV	DCO'S AFFECTING THIS DRAWING	DATE	APPROVED
A	INITIAL REL # 3677	4/29/11	D.L.
B	DCO # 3823 ADDED EXTRA STABLE	8/31/11	D.L.

- 1. Output:
10.0 to 15.5 mV in air at 1013 millibar pressure and a temperature range of 23±2 °C
- 2. Operating Temperature:
5° to 40 °C
- 3. Maximum Storage Temperature:
-15° to 50 °C
- 4. Optimal Storage Temperature:
5° to 25 °C
- 5. Range of Measurement (Full Scale):
0 to 100% oxygen
- 6. Zero Offset:
Less than or equal to 0.50 mV when exposed to 99.9% to 100% nitrogen
- 7. 90% Response Time:
Less than or equal to 15 seconds at 23±2 °C
- 8. Linearity:
Within +/- 2.0% of full scale

- 9. Stability:
Less than 0.74 mV (1% of full scale) signal variation over an 8 hour period (drift) at constant temperature, pressure, humidity, and concentration of Oxygen.
Less than 0.0056 mV (0.0076% of full scale) signal variation per second (noise) at constant temperature, pressure, humidity, and concentration of Oxygen.
- 10. Interference:
Less than 2% of full scale in presence of 75% Nitrous oxide
Less than 2% of full scale in presence of 5% Halothane
Less than 2% of full scale in presence of 5% Isoflurane
Less than 2% of full scale in presence of 5% Enflurane
Less than 2% of full scale in presence of 6% Sevoflurane
Less than 2% of full scale in presence of 15% Desflurane
Less than 2% of full scale in presence of 10% Carbon Dioxide
Less than 2% of full scale in presence of 70% Helium
- 11. Temperature Compensation:
Less than ± 3.0% from 15° to 40°C
- 12. Expected Life
> 1,500,000% oxygen hours under normal operating conditions
- 13. Humidity
5% to 95% Relative Humidity non-condensing

UNLESS OTHERWISE SPECIFIED
DIMENSIONS ARE IN INCHES
AND PER ANSI Y14.5-1982

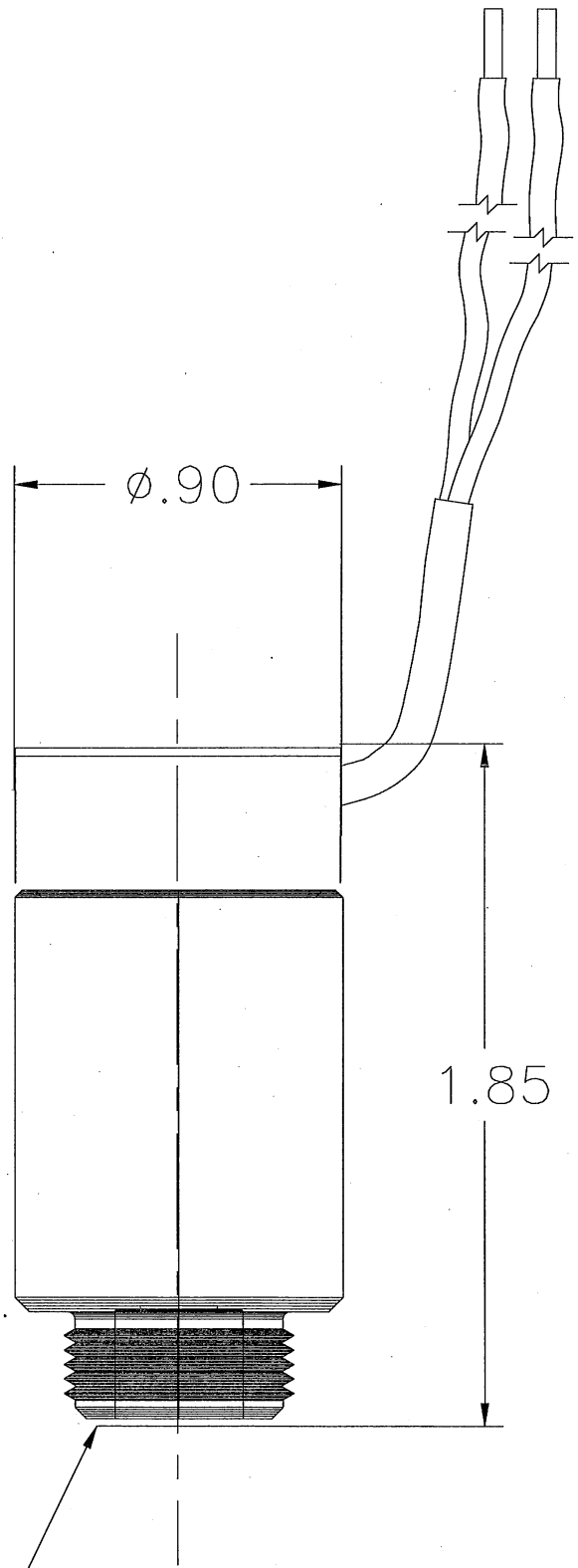
maxtec[®]
SALT LAKE CITY, UTAH 84107

SPECIFICATIONS MAX-250S
EXTRA STABLE OXYGEN SENSOR

QA T. Lavery	8/30/11	PREP J. Anderson	4/21/11
MFG E. Meads	8/30/11	CHKR A. Boardman	4/29/11
		ENG C. Cindrich	8/30/11

SIZE B	FSCM NO. 1S815	NUMBER R125P19	REV B
SCALE NONE	SHEET 1 OF 2		

R125P19 B



M16 x 1 Thread

SIZE B	FSCM NO. 1S815	NUMBER R125P19	REV B
SCALE NONE	SHEET 2 OF 2		

PROPRIETARY INFORMATION
MAXTEC

R125P19 B