

: SmartStack[®]

EQUIPMENT STAND
ASSEMBLY INSTRUCTIONS &
INSTRUCTIONS FOR USE

BIPAP & CPAP
R100P74



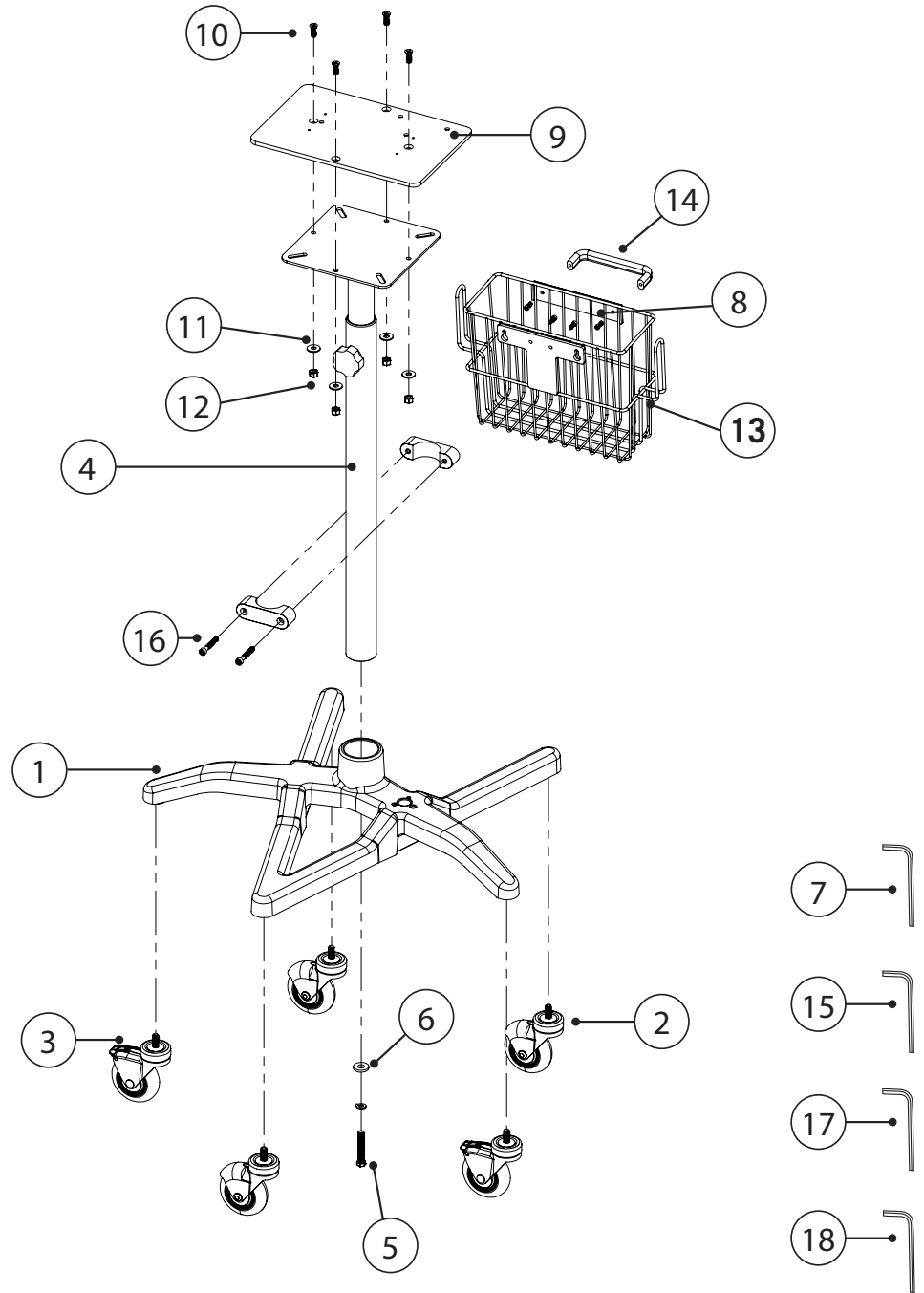
❖ 1.0 SYSTEM OVERVIEW

1.1 Description

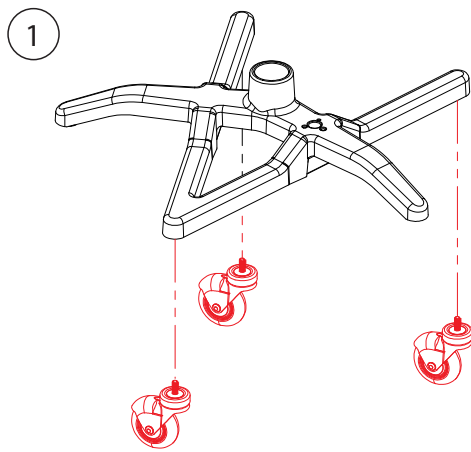
This SmartStack Equipment Stand was designed for use with DeVilbiss® IntelliPAP® BiPAP & CPAP units. The following outlines proper assembly of the SmartStack Equipment Stand Base. Maxtec is not affiliated with or endorsed by DeVilbiss®

1.2 Component Identification

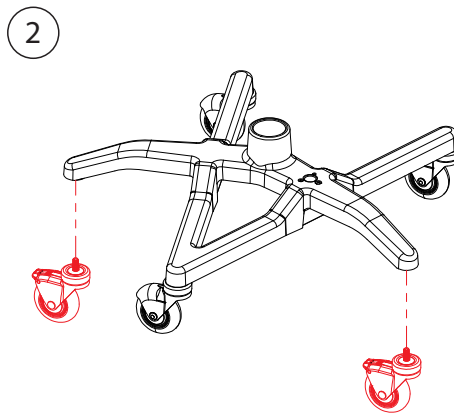
- ① SmartStack Base (1)
- ② Non Locking Casters (3)
- ③ Locking Casters (2)
- ④ Pole with Plate (1)
- ⑤ 5/16-18 Bolt (1)
- ⑥ 5/16 Flat Washer (1)
- ⑦ 5/32 Hex Wrench (1)
- ⑧ 10-24 Hex Screw (4)
- ⑨ Mounting Plate (1)
- ⑩ 1/4-20 Flathead Phillips Screw (4)
- ⑪ 1/4 Flat Washer (4)
- ⑫ 1/4-20 Nut (4)
- ⑬ Basket (1)
- ⑭ Handle (1)
- ⑮ 3/16 Hex Wrench (1)
- ⑯ 1/4-20 Hex Screw (2)
- ⑰ 5mm Hex Wrench (1)
- ⑱ 3/32 Hex Wrench (1)
- Ⓓ 5/16 Split Lock Washer



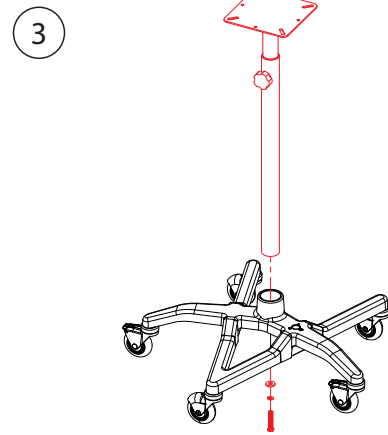
2.0 ASSEMBLY INSTRUCTIONS



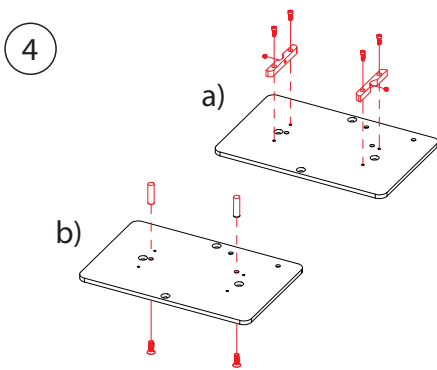
Install the (3) casters in the front and rear positions of the SmartStack Base.



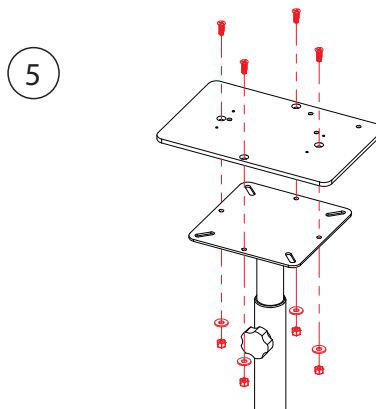
Install the (2) locking casters on the side positions of the base.



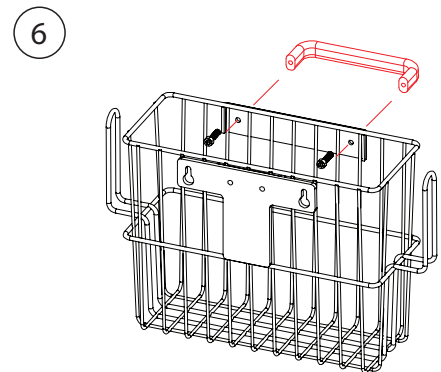
Insert the Pole with Plate into the SmartStack Base.



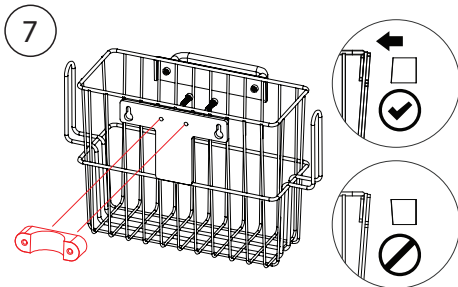
For units with humidifier - start set screws into the side of the locating bosses as shown (a), then attach the mounting bosses with the 8-32 hex screws. Use threadlocker on the hex screw threads. For units without humidifier attach the mounting pins as shown (b) with 1/4-20 flathead screws. Use threadlocker on screw heads.



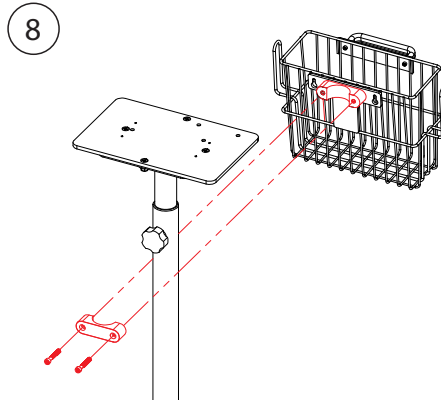
Line up mounting plate with holes located on the front and left sides of the Pole Mounting Plate. Insert (4) flat head phillips screws into the (4) aligned holes. From bottom, add washers and nuts.



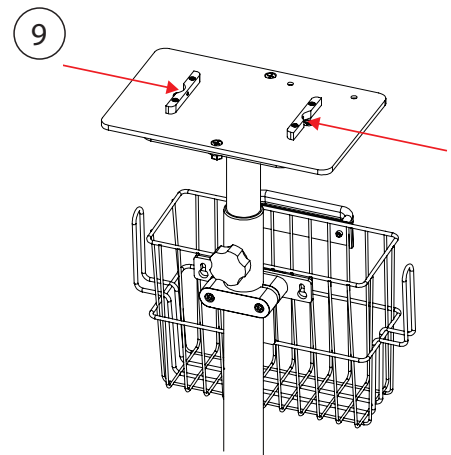
Install Handle on the front of the basket using (2) 10-24 hex screws.



Orient and install the mounting bracket to the basket using (2) 10-24 hex screws as shown.



Install the basket using the remaining half of the mounting bracket and (2) 1/4-20 Hex screws and position around Pole.



For units with humidifier, place the unit on top of the plate in alignment with the bosses and firmly tighten the set screws to hold in place. For units without humidifier, place the unit on top of the plate in alignment with the pins

⚠️ 3.0 WARNINGS

- » This device is not MRI compatible.
- » Never exceed 100 lbs on this device.
- » Use caution when rolling heavily loaded device, especially on uneven surfaces.
- » This product should only be used under proper supervision from a healthcare professional.
- » Do not autoclave.
- » Do not stand on or ride this device.
- » Brakes may not stop equipment stand on all surfaces.
- » Follow the order of assembly as directed.
- » Use caution when adjusting pole height.
- » If components are damaged or missing, contact your dealer immediately. DO NOT use substitute parts unless provided by Maxtec or authorized representative.
- » Failure to adhere to these warnings can result in severe injury.
- » Maxtec assumes no responsibility for any damage or injury caused by improper installation, assembly or use of this product.
- » Use caution if equipment stand is fully loaded. Product may tip.
- » Use caution around stairwells.

⚠️ 4.0 CLEANING

- » Clean often using a cloth moistened with 65% isopropyl alcohol/water solution or germicidal wipe.
- » Clean the entire device before use.

⚠️ 5.0 WARRANTY

- » 4-year limited warranty on manufactured defects.

5.0 SYMBOL GUIDE



Warnings



Follow Instructions for use



Lot code/Batch code



Catalog Number



Manufacturer



Date of Manufacture



Maxtec
2305 South 1070 West
Salt Lake City, Utah 84119
USA

TEL (800) 748.5355
FAX (801) 270.5590
email: sales@maxtec.com
website: www.maxtec.com



maxtec