



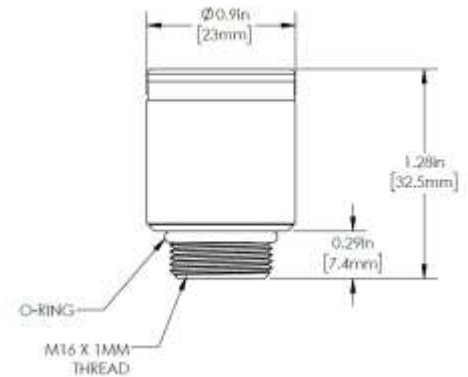
# Product Specification

## Max-125WF

### Medical Oxygen Sensor

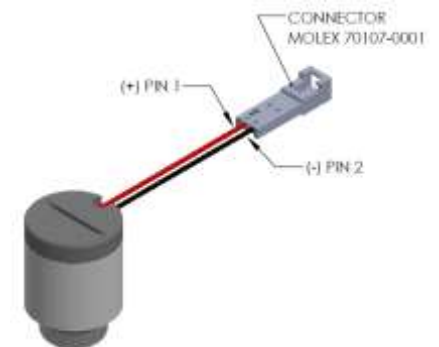
#### Electrical Output Specifications

Range	0 to 100% oxygen by volume
Output	10.0 to 15.5mV in air at 1013 millibar pressure and a temperature range of $23 \pm 2$ °C
Zero Offset	Less than or equal to 0.5 mV when exposed to nitrogen
90% Response Time	Less than or equal to 15 seconds at $23 \pm 2$ °C
Linearity	Within $\pm 1\%$ of full scale
Drift	Less than 1% of full scale over an 8-hour period at constant temperature, pressure, humidity, and oxygen concentration



#### Life, Temperature, and Storage

Expected Life	> 500,000% oxygen hours under normal operating conditions
Operating Temperature	5° to 40°C
Temperature Compensation	Less than $\pm 3.0\%$ from 15° to 40°C
Humidity	5% to 95% Relative Humidity non-condensing
Storage Temperature	Max: -15° to 50 °C, Optimal: 5° to 25 °C



#### Gas Interference

INTERFERENT	VOLUME % DRY	INTERFERENCE IN O2%
Nitrous Oxide	60%, Balance O2	<1.5%
Halothane	4%	<1.5%
Enflurane	5%	<1.5%
Isoflurane	5%	<1.5%
Helium	50%, Balance O2	<1.5%
Sevoflurane	5%	<1.5%
Desflurane	15%	<1.5%

