


REVISIONS			
REV.	DCO'S RELATED TO THIS DRAWING	DATE	APPROVED
A	INITIAL REL.# 2746	5/10/07	D.Larsen
G	DCO # 4483 REMOVED OPTIVENTURI	4/17/13	D. LARSEN

Specification	
MaxVenturi Analyzer Specifications	
Display Resolution	.1%
Accuracy and Linearity	1% of full scale at constant temperature, R. H. and pressure when calibrated at full scale.
Total Accuracy	±3% actual oxygen level over full operating temperature range.
Response Time (Max250E)	90% of final value in approximately 15 seconds at 23 °C.
Warm-up time	none required
Operating Temperature	15 °C - 40 °C (59 °F - 104 °F)
Storage Temperature	-15 °C - 50 °C (5 °F - 122 °F)
Atmospheric Pressure	800 - 1013 mbars
Humidity	0-95% (non-condensing)
Power Requirements	2, AA Alkaline batteries (2 X1.5 Volts)
Battery Life	Approximately 5000 hours with continuous use.
Low-Battery Indication	"BAT" icon displayed on LCD
Sensor Type	Maxtec MAX-250 Series galvanic fuel cell
Expected Sensor Life	>1,500,000 O2 percent hours minimum 2-years in typical medical applications.
Dimensions	7.3in X 6.6in X 5.3in (185mm X 167mm X 135mm)
Weight	2.54 lbs (1.15 kg)
Drift of measurment	<±1% of full scale at constant temperature, pressure, and humidity

Oxygen Diluter Specifications	
Specification	MaxVenturi
Flow	Min:10 Max: (55-60) LPM
Flow Accuracy	10LPM - ±33%
	20 LPM - ±18%
	30 LPM - ±15%
	40 LPM - ±11%
	50 LPM - ±11%
60 LPM - ±9%	
FiO2 Range	32%±2-100%
Oxygen Inlet Supply	Medical Grade Oxygen
Oxygen inlet supply pressure	45-55psig
Oxygen inlet filter (internal)	45-90 micron pore size
Ambient air inlet filter	Air Safety Ltd. Single Patient Use Filter

UNLESS OTHERWISE SPECIFIED DIMENSIONS ARE IN INCHES AND PER ANSI Y14.5-1982		 SALT LAKE CITY, UTAH 84107	
XX = ±.01 .XXX = ±.005 XXXX = ±.002	ANGLES ±1°30'	SPECIFICATIONS, MaxVenturi	
ORIGINATOR J. Anderson	04/24/07	SIZE B	DWG. NO. R211P01
Q.A. G. ROTH	4/11/13	CHECKED G. PEKAR	5/10/07
MFG C. BENNETT	4/11/13	ENG C. CINDRICH	4/11/13
		REV G	SHEET 1 OF 2

8

7

6

5

4

3

2

1

D

C

B

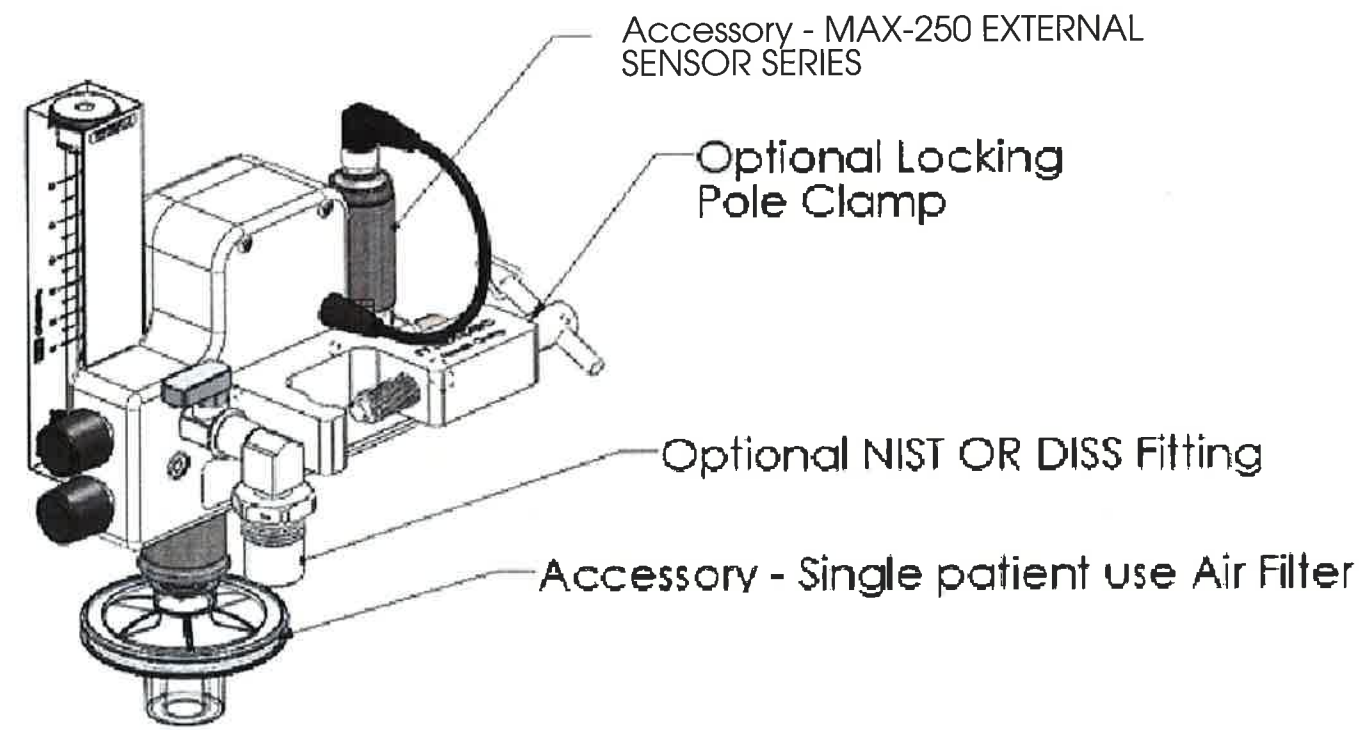
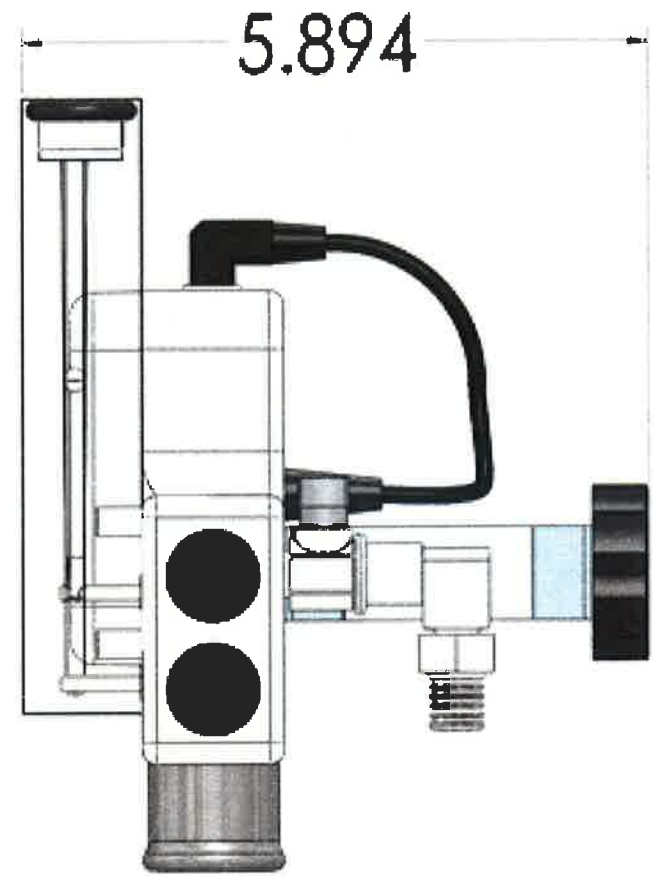
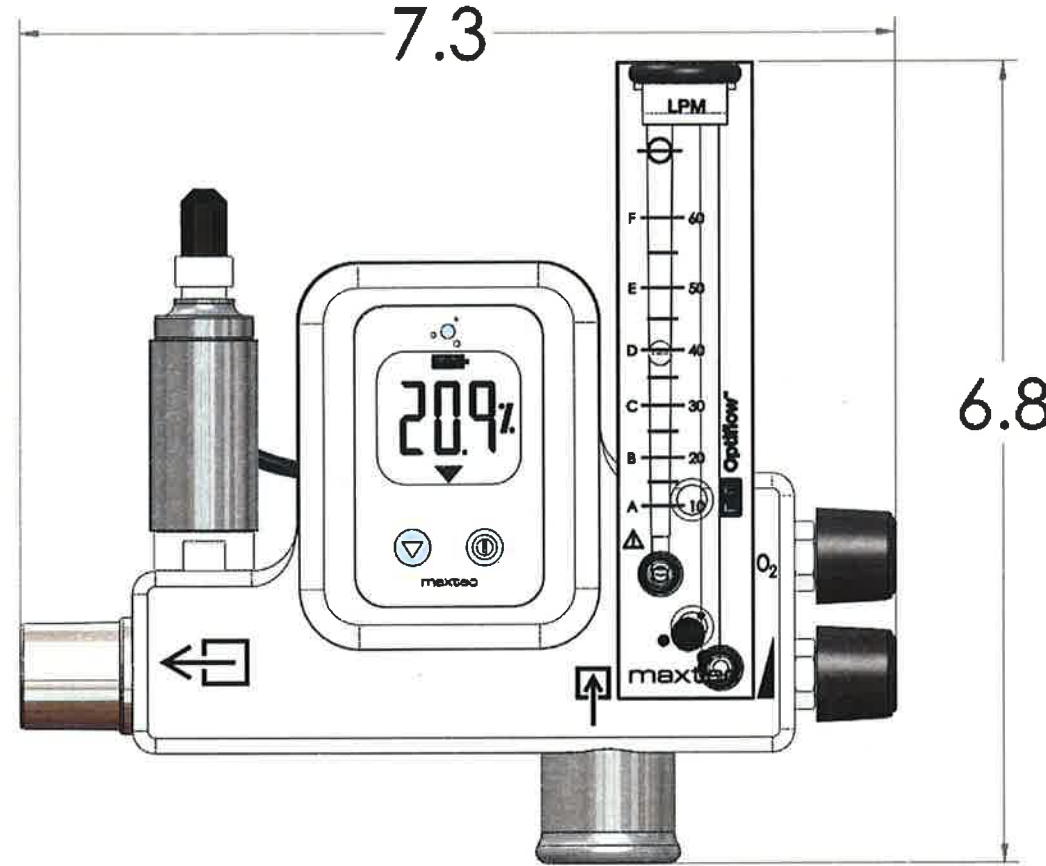
A

D

C

B

A



SIZE B	DWG. NO. R211P01	REV G
SCALE: 5:1		SHEET 2 OF 2

8

7

6

5

4

3

2

1

R211P01 G

PROPRIETARY INFORMATION
MAXTEC