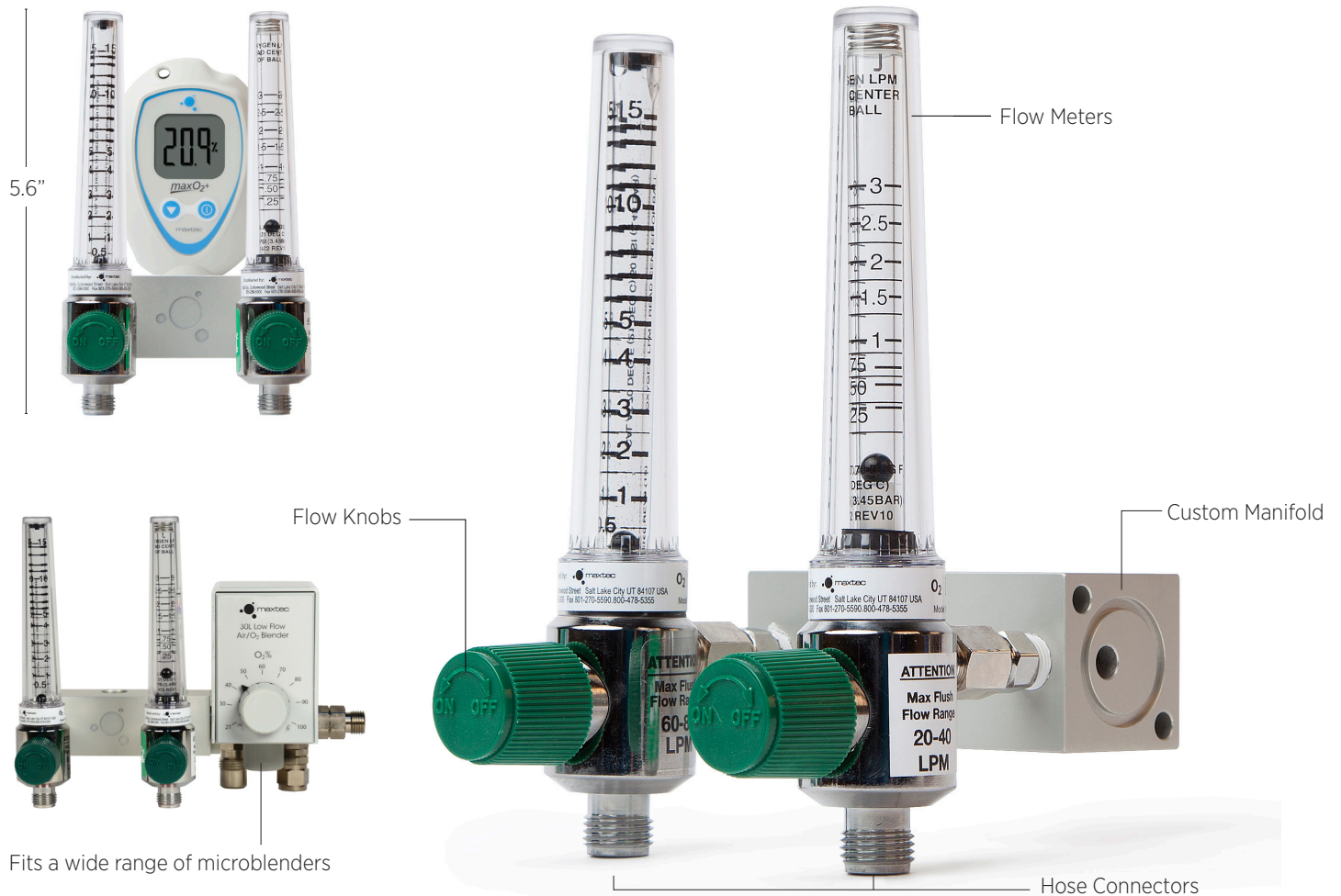


# Blender Buddy™

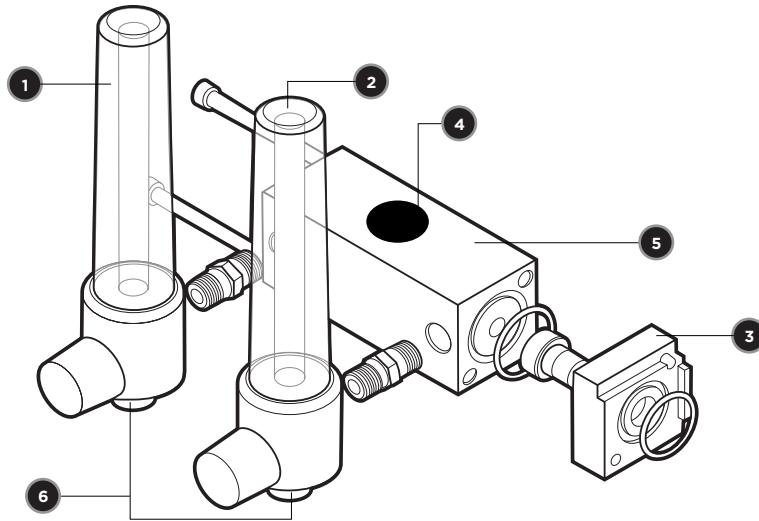


## ► Every Blender Needs A Buddy!

**The Blender Buddy turns your blender into the ultimate blending device.** Its robust design provides quality and reliability needed to ensure the ultimate patient care. This product securely attaches to your blender using a specific independent block to ensure that it doesn't swivel or move inadvertently. The oxygen port on the top of the manifold allows gas to be analyzed in a clean and dry environment away from the patient to avoid cross-contamination. The Blender Buddy comes standard with one low flow (0-3.5 lpm) and one high flow (0-15 lpm) flow meter.

### Part Numbers

For MaxBlend .....	R219P11
For CareFusion/Bird, Ohmeda, ...	R219P12-001
Siemens, Drager, F&P	
For Sechrist Industries .....	R219P13-001
For BioMed Devices, Ohio .....	R219P14-001
Impact, Adam	
For Precision Medical .....	R219P20-001
For Tenacore .....	R219P51-001
For CareFusion/Bird with .....	R219P17-001
2-26 lpm & 0-5 lpm flow meters	



- 1. Flow Meter #1**  
*0-3.5 liters per minute standard*
- 2. Flow Meter #2**  
*0-15 liters per minute standard*

- 3. Adapts to Multiple Blenders**  
*See part numbers for models*
- 4. Analyzer Port**  
*Monitor gas with an oxygen analyzer*

- 5. Robust Manifold**  
*Secures flow meters to blender*
- 6. Fits Multiple Flow Meters**  
*Your choice of flow meter combinations*

### Accessory Kit for Low Flow

The Bird Low Flow Blender Kit includes one Blender Buddy with a 0-3.5 lpm and 0-15 lpm flow meter, a coiled hose and a 3-in-1 adapter. The MaxBlend/Sentry Kit includes a Blender Buddy with a 0-3.5 lpm and 0-15 lpm flow meter, a coiled hose and a 3-in-1 adapter.

Bird Low FLOW Blender Kit . . . . .R219P49-002  
MaxBlend/Sentry Kit . . . . .R219P49-001

### Accessory Kit for Adult High Flow

The Bird High Flow Blender Buddy includes one 0-70 lpm flow meter. The Bird High Flow Blender Kit includes one 0-70 lpm flow meter attached, a coiled hose and a 2-in-1 adapter.

Bird High Flow . . . . .R219P12-003  
Bird High Flow Blender Kit . . . . .R219P49-001

### International Part Numbers (ISO Color)

The Blender Buddy International Part Numbers include ISO (white) colored knobs on the flow meters. Can't find the configuration you need below? Try out Custom Part Number Generator. We have a total of 10 different ISO colored flow meters you can use to put together your own Blender Buddy.

For MaxBlend . . . . .R219P11-001  
CareFusion (Viasys/Bird) . . . . .R219P12-002  
BioMed-Devices . . . . .R219P14-002

## ▶ Custom Part Number Generator

**The Blender Buddy Custom Part Number Generator helps you custom build your own**

**Blender Buddy.** Our part number creator tool was designed to make customizing your own Blender Buddy fast and easy. Simply complete the fields to select your combination of manifold (blender to which the block will adapt), flow meter choice #1, flow meter choice #2 and if you would like to include a MaxO2+ Oxygen Analyzer with your Blender Buddy. Start building your own customized Blender Buddy today! More International options available here!

<http://www.maxtec.com/blendersMixers/blenderBuddy.php>

