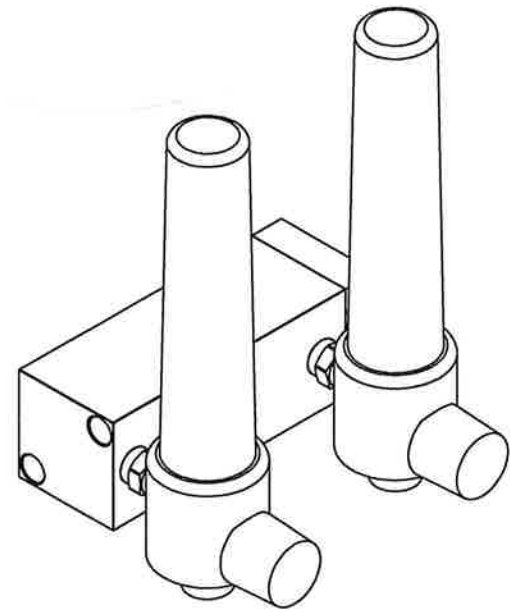
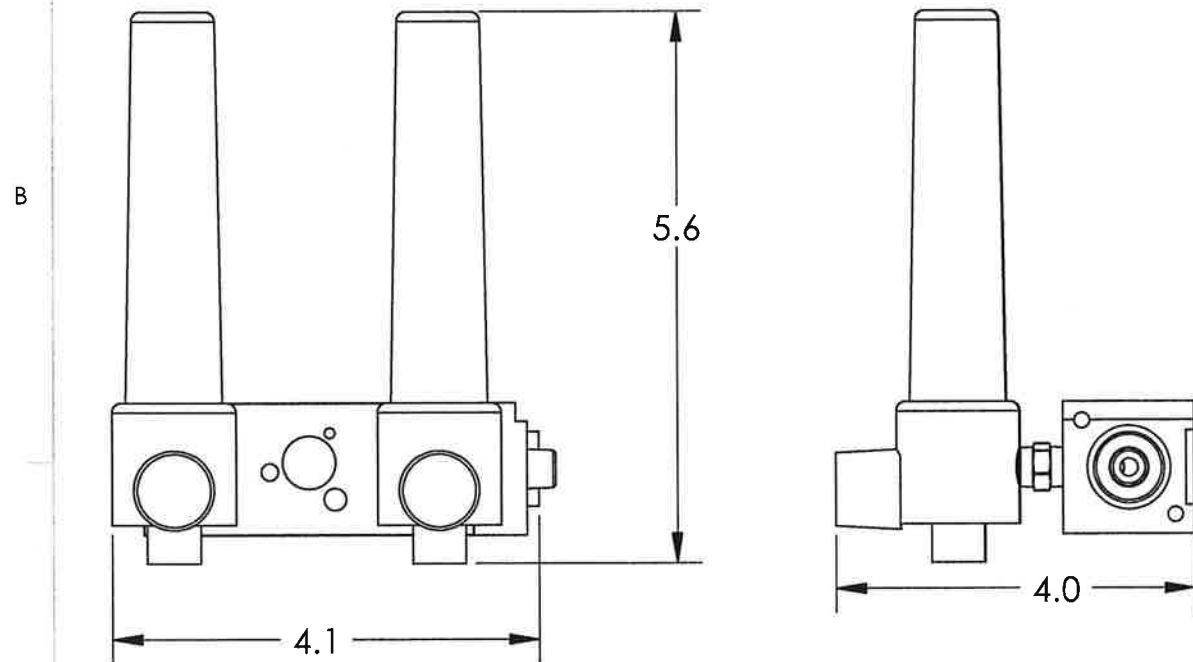


REVISIONS

REV.	DCO'S RELATED TO THIS DRAWING	DATE	APPROVED
A	INITIAL REL. # 2731	6/7/07	D.L.
G	DCO # 4053 ADDED PRECISION BLENDER	3/23/12	D.L.



Description		Specification
Max Pressure		100 psi
O-ring Material		EPDM
Total Weight (w/ flow meters)		~1.5 lbs (680 g)
Bleed Flow Rate		3-7 LPM
Flow Meter Types	Color	Maxtec Part Number
0 - 15 LPM (Amvex or Precision)	Green	RP34P03-001
0 - 15 LPM (Amvex or Precision)	White	RP34P03-101
0 - 3.5 LPM (Amvex)	Green	RP34P03-002
0 - 3.5 LPM (Amvex)	White	RP34P03-102
0 - 200 CC (Amvex or Precision)	Green	RP34P03-003
0 - 200 CC (Amvex or Precision)	White	RP34P03-103
0 - 1 LPM (Amvex or Precision)	Green	RP34P03-004
0 - 1 LPM (Amvex or Precision)	White	RP34P03-104
0 - 8 LPM (Amvex)	Green	RP34P03-005
0 - 8 LPM (Amvex)	White	RP34P03-105
0 - 70 LPM (Amvex)	Green	RP34P03-006
0 - 70 LPM (Amvex)	White	RP34P03-106
0 - 3 LPM (Precision)	Green	RP34P03-007
0 - 3 LPM (Precision)	White	RP34P03-107
Assembly Number		For Use With:
R219P11, R219P16		Maxblend
R219P12-001, R219P17,		Bird Blender
R219P13-001, R219P18,		Sechrist Blender
R219P14-001, R219P19,		Biomed Devices Blender
R219P20-001, R219P20		Precision Medical Blender



UNLESS OTHERWISE SPECIFIED
DIMENSIONS ARE IN INCHES
AND PER ANSI Y14.5-1982

XX = ±.01
XXX = ±.005
XXXX = ±.002

ORIGINATOR
J.Anderson 6/5/07

ANGLES
±1°30'

Q.A.
T. LAVERY 3/14/12

MFG
E. MEADS 3/14/12

CHECKED
C.WECKER 6/6/07

ENG
C. CINDRICH 3/14/12

maxtec[®]
SALT LAKE CITY, UTAH 84107

**Specification,
Blender Buddies**

SIZE DWG. NO. REV
B R219P15 **G**

SCALE: 1:2

SHEET 1 OF 1