

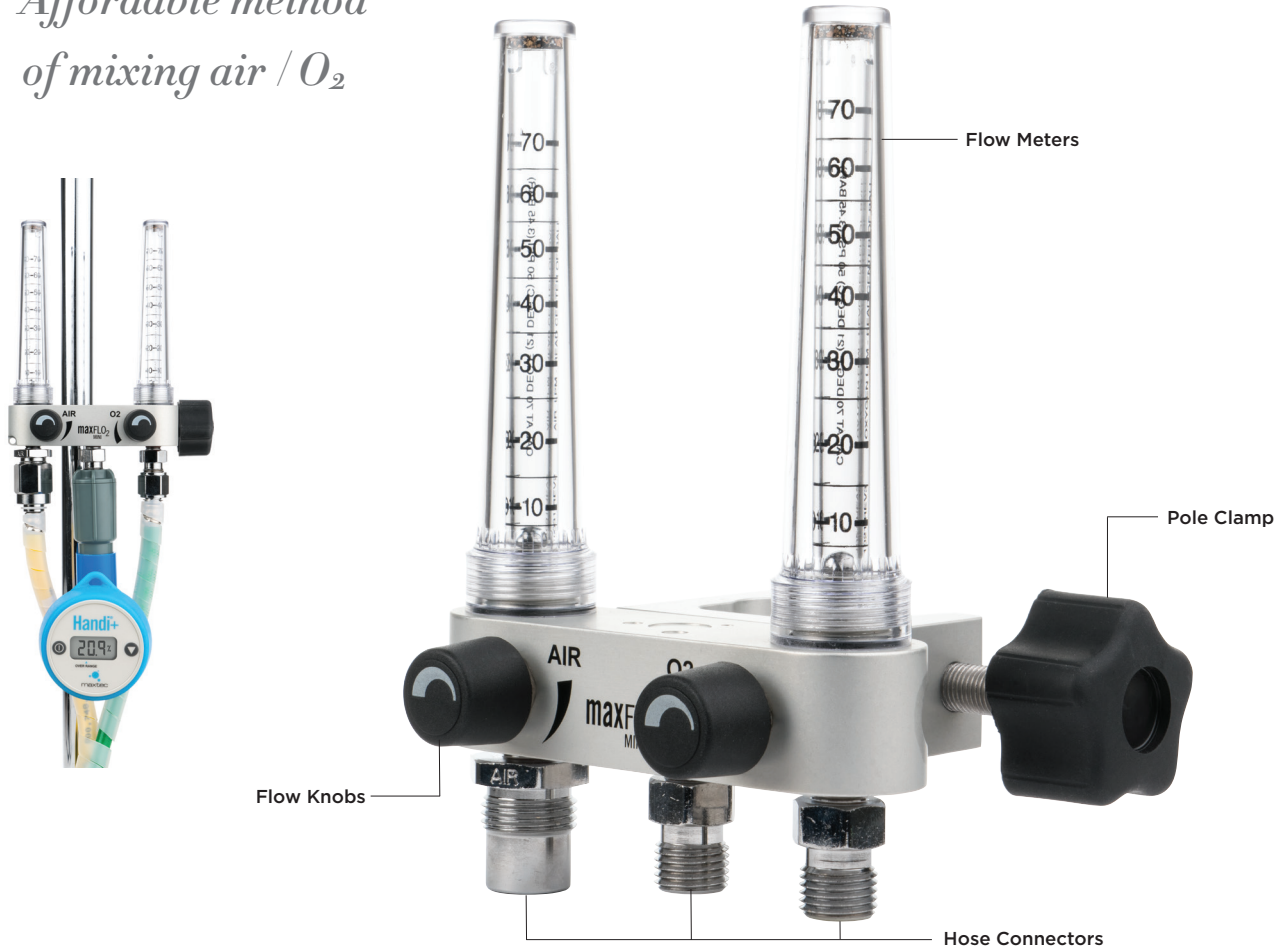
# MaxFLO<sub>2</sub> Mini Air / O<sub>2</sub> Mixer

SENSING

ANALYSIS

DELIVERY

*Affordable method  
of mixing air / O<sub>2</sub>*



## MAXFLO<sub>2</sub> MINI AIR / O<sub>2</sub> MIXER OVERVIEW

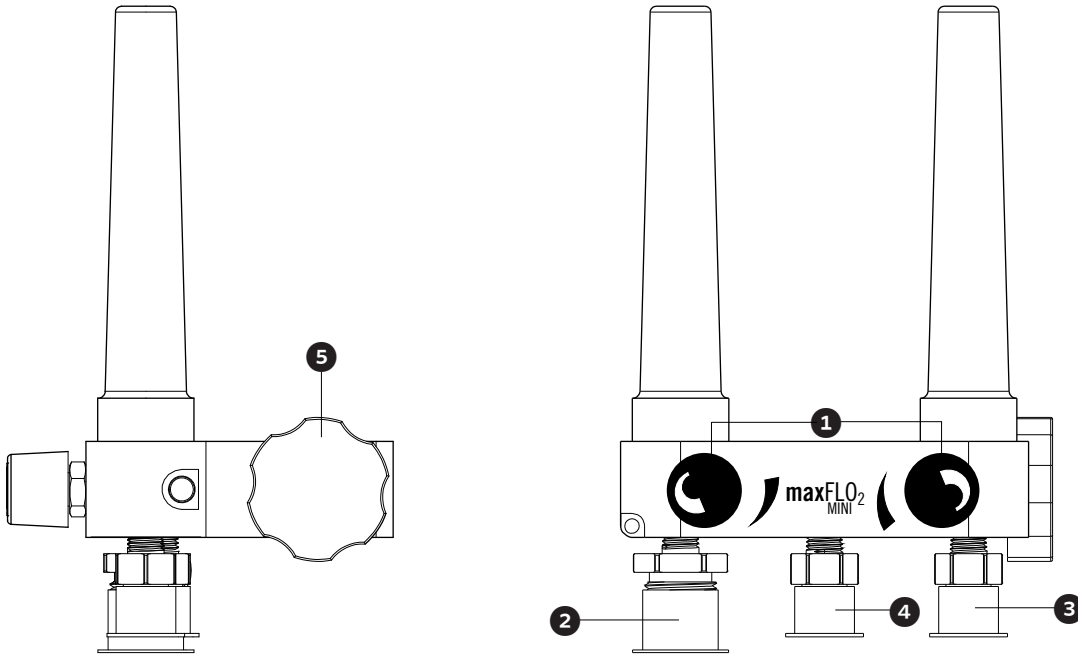
The MaxFLO<sub>2</sub> Mini from Maxtec is an affordable method for mixing and monitoring air and oxygen. The MaxFLO<sub>2</sub> Mini is available with multiple flow meter configurations for use in different applications. Each unit comes equipped with dual flow meters and includes a pole clamp for easy transportation and storage.

## PART NUMBERS

0-70 LPM Air & 0-70 LPM O<sub>2</sub> . . . . . R223P08  
0-15 LPM Air & 0-15 LPM O<sub>2</sub> . . . . . R223P14

## ACCESSORIES

Handi+ . . . . . R218P12  
Coiled Air / O<sub>2</sub> Hoses . . . . . R127P35  
2-in-1 Adapter . . . . . R219P50



**1. Flow and FiO<sub>2</sub> Control**

*Low flow & high flow flow-meters available*

**2. Air Inlet**

*Independently adjust flow*

**3. O<sub>2</sub> Inlet**

*Independently adjust flow*

**4. Mixed Gas Outlet Port**

**5. IV Pole Clamp**

*Easy transport or storage*

**Specifications**

Weight	1.2 LBS (.54 Kg)
Internal Filter (Air and Oxygen Inlet)	45 - 90 Micron Particulate
Oxygen Concentration Adjustment Range	21% - 100% Oxygen
Accuracy of Oxygen Concentration	+/- 5% of the Indicated Value
Gas Supply Pressure	50 +/- PSIG (345 +/- 14kPaG)
Outlet Flow Range (gasen)	10 LPM at (20.9% Oxygen and 100% Oxygen) to 140 LPM (AT 60% Oxy-
Optimal Working Pressure	50 PSIG (345 kPaG)
Maximum Allowable Pressure	100 PSIG (689 kPaG)
Temperature Range	590F - 1040F (150C - 400C)
Maximum Allowable Temperature	1500F (650C)
Relative Humidity Range	0 - 95% Non-Condensing
Ambient Storage Conditions Temperature Range	50F - 1220F (-150C - 500C)