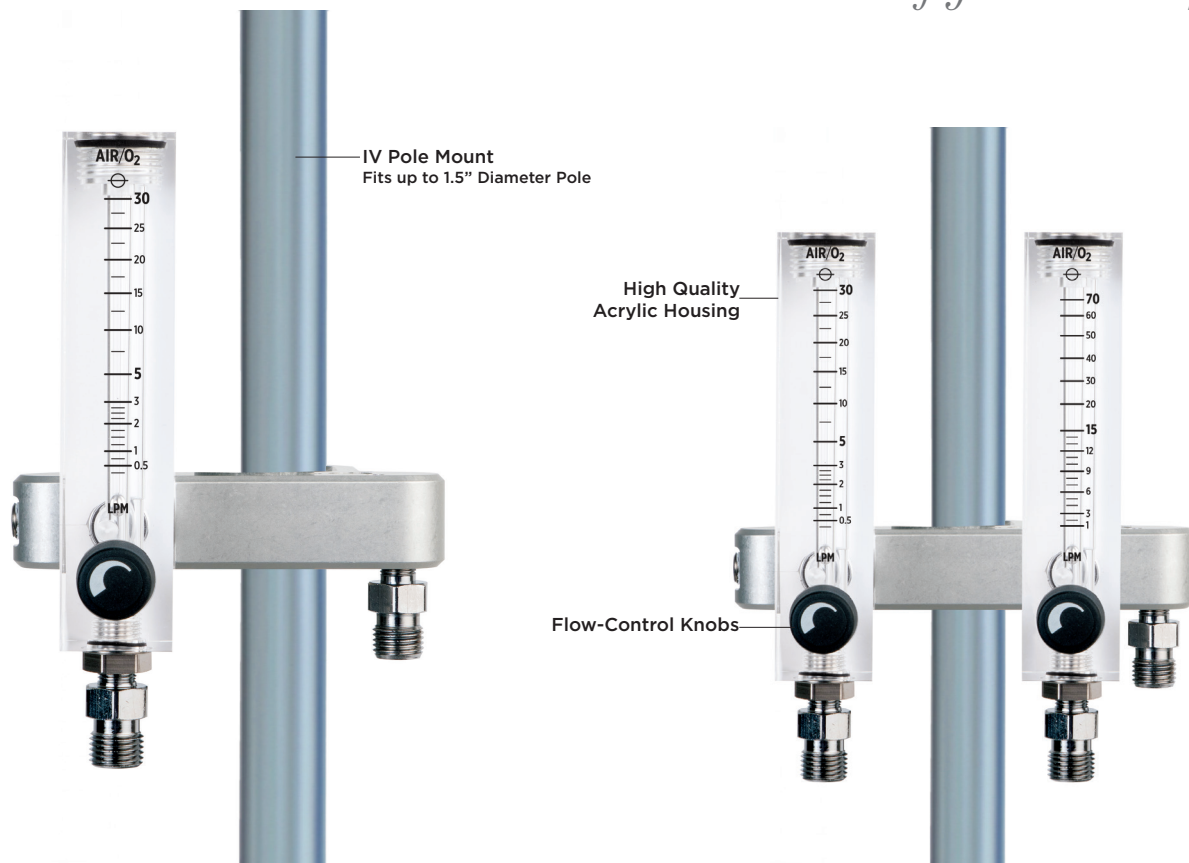


Acrylic Flowmeter Manifold

*Mount your flow meter
configuration to a pole.*

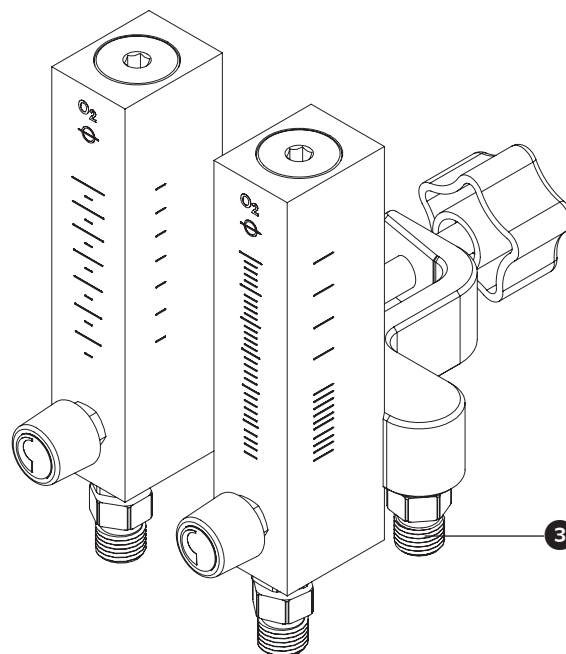
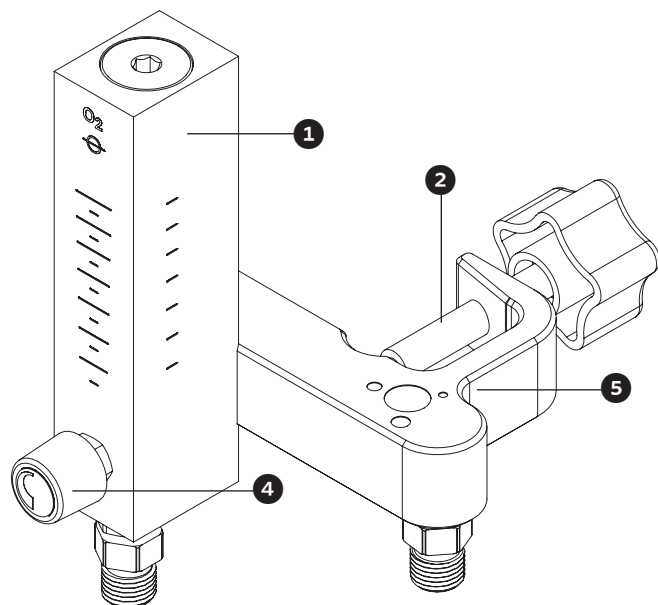


► ACRYLIC FLOW METER MANIFOLD

Maxtec's Acrylic flow meter manifold allows for fast and easy attachment of a flow meter to an IV pole. Every flow meter features a durable acrylic block housing, a highly accurate needle valve, and is covered by a 5 year warranty.

PART NUMBERS

0-30 LPM (Single) R220P88-001
 0-70 LPM (Single) R220P87-001
 0-70 LPM (Female) R220P87-002
 0-70/0-30 LPM (Dual) R220P89-001



1. Acrylic Housing

High quality and durable

2. Pole Mount

For poles up to 1.5" in diameter

3. Multiple Fitting Options

DISS or NIST options available

4. Easy Flow Adjustment

High quality flow control knob

5. Multiple Flow Range Scales

From 30 LPM to 120 LPM flow ranges

Specifications

0-30 Flowmeter:

Flow Range	0-30 LPM
Burst Pressure	>150 psi
Calibration Pressure	50 psi
Calibration Temperature	21°C (70°F)
Weight	6.8 oz
Gas Type	Oxygen
Accuracy	2-4: ±0.5%LPM 5-30: ±10% of indicated value
Storage Temperature	-40°C (-40°F) to 60°C (140°F)

0-70 Flowmeter:

Flow Range	0-70 LPM
Burst Pressure	>150 psi
Calibration Pressure	50 psi
Calibration Temperature	21°C (70°F)
Weight	6.8 oz
Gas Type	Oxygen
Accuracy	±10% of indicated value
Storage Temperature	-40°C (-40°F) to 60°C (140°F)