

REV	DCO'S AFFECTING THIS DRAWING	DATE	APPROVED
A	INITIAL RELEASE #907	4/28/98	G.P.
G	DCO # 4462 UPDATED SPECS	4/1/13	L.L.

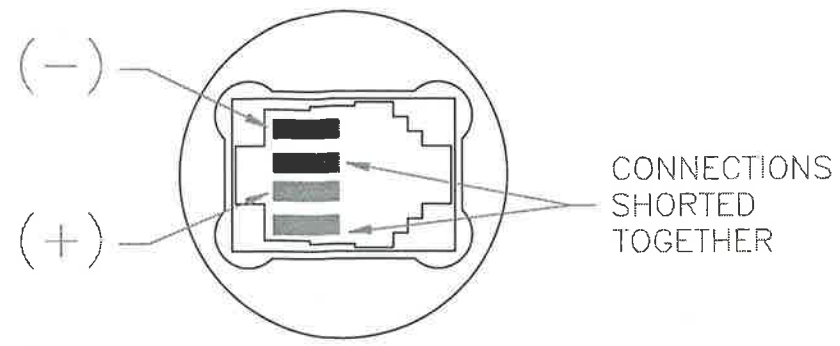
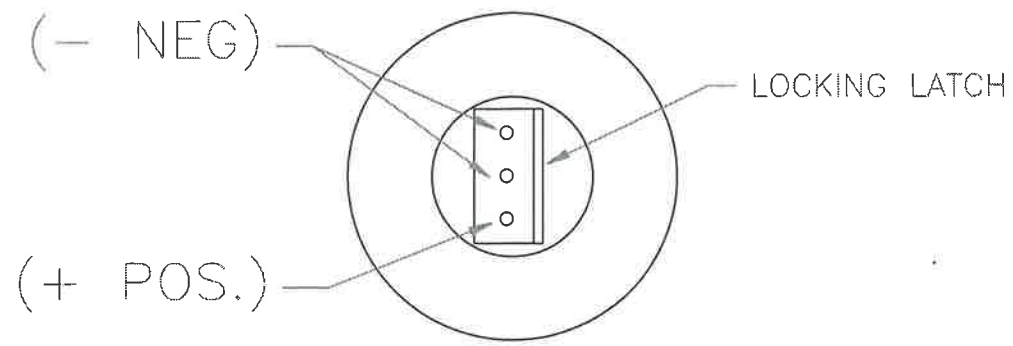
1. Output:
11mV \pm 2.5mV in air at 1013 millibar pressure and a temperature range of 23 \pm 2 °C
2. Operating Temperature:
5° to 40 °C
3. Maximum Storage Temperature:
-15° to 50 °C
4. Optimal Storage Temperature:
5° to 25 °C
5. Range of Measurement (Full Scale):
0 to 100% oxygen
6. Zero Offset:
Less than or equal to 0.50 mV when exposed to 99.9% to 100% nitrogen for 5 min.
7. 90% Response Time:
Less than or equal to 15 seconds at 23 \pm 2 °C
8. Linearity:
Within \pm 1.0% of full scale

9. Stability:
Less than 1% of full scale over an 8 hour period at constant temperature, pressure, and humidity.
10. Interference:
Less than 2% of full scale in presence of 75% Nitrous oxide
Less than 2% of full scale in presence of 5% Halothane
Less than 2% of full scale in presence of 5% Isoflurane
Less than 2% of full scale in presence of 5% Enflurane
Less than 2% of full scale in presence of 6% Sevoflurane
Less than 2% of full scale in presence of 15% Desflurane
Less than 2% of full scale in presence of 10% Carbon Dioxide
Less than 2% of full scale in presence of 70% Helium
11. Temperature Compensation:
Less than \pm 3.0% from 15° to 40°C
12. Expected Life
> 1,500,000% oxygen hours under normal operating conditions
13. Humidity
5% to 95% Relative Humidity non-condensing

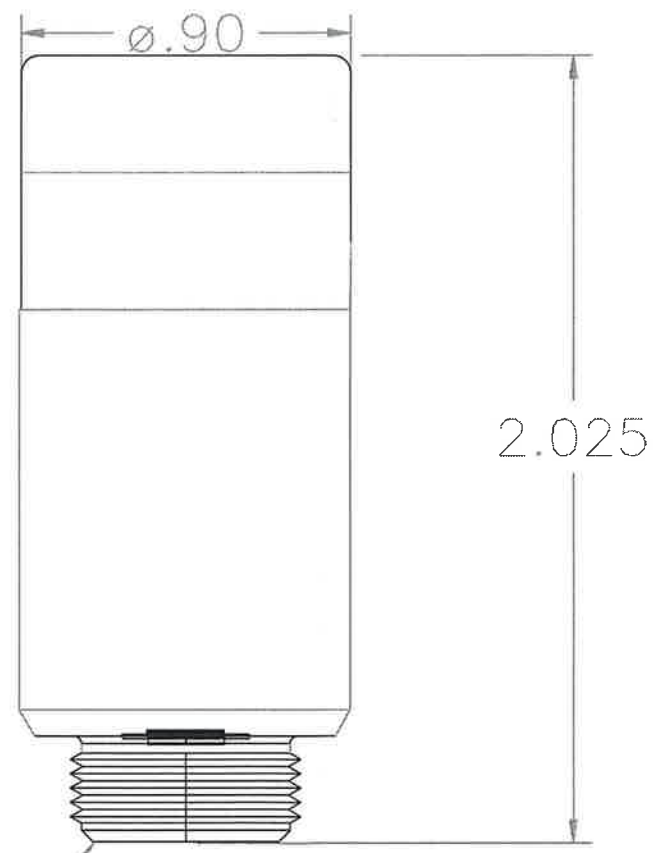
AUTHORIZED COPY
APR 5 2013
EFFECTIVE DATE
VALID ONLY IF THIS STAMP IS RED

UNLESS OTHERWISE SPECIFIED DIMENSIONS ARE IN INCHES AND PER ANSI Y14.5-1982				maxtec [®] SALT LAKE CITY, UTAH 84107			
		.XX = \pm 0.01 .XXX = \pm 0.005 .XXXX = \pm 0.002		ANGLES \pm 1'30"		SPECIFICATIONS MAX-250A, MAX-250M & MAX-250L OXYGEN SENSOR	
QA G. ROTH	3/27/13	PREP. C. ZASTROW	12/6/97	SIZE B	FSCM NO. 1S815	NUMBER R125P21	REV G
MFG E. MEADS	3/12/13	CHKR G. POELAKKER	4/28/98	SCALE NONE	SHEET 1 OF 2		
		ENG T. MARSHALL	02/12/13			PROPRIETARY INFORMATION MAXTEC	

R125P21 G

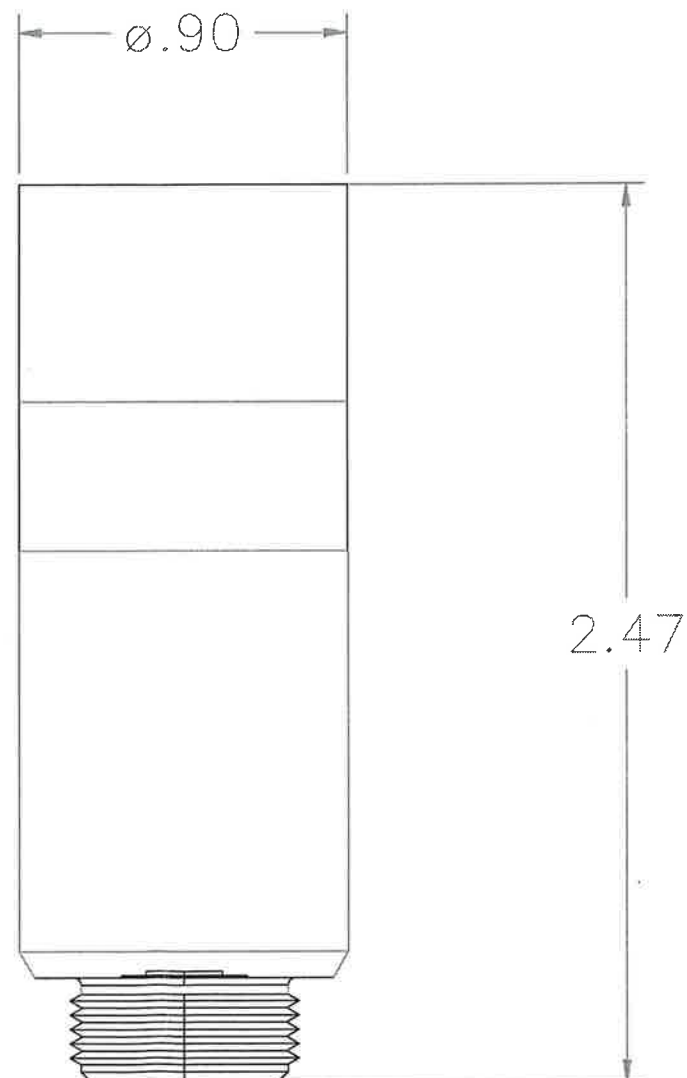


3mm PHONE JACK
CENTER NEGATIVE (-)



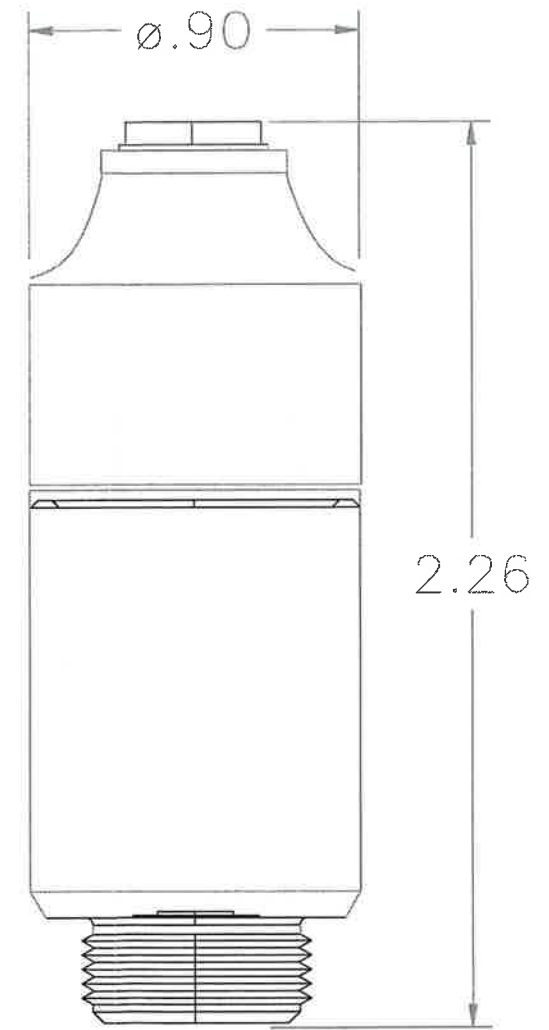
M16 x 1 Thread

MAX-250M



M16 x 1 Thread

MAX-250A



MAX-250L

AUTHORIZED COPY
APR 5 2013
EFFECTIVE DATE
VALID ONLY IF THIS STAMP IS REP

SIZE B	FSCM NO. 1S815	NUMBER R125P21	REV G
SCALE NONE	SHEET 2 OF 2		

PROPRIETARY INFORMATION
MAXTEC

R125P21 G