

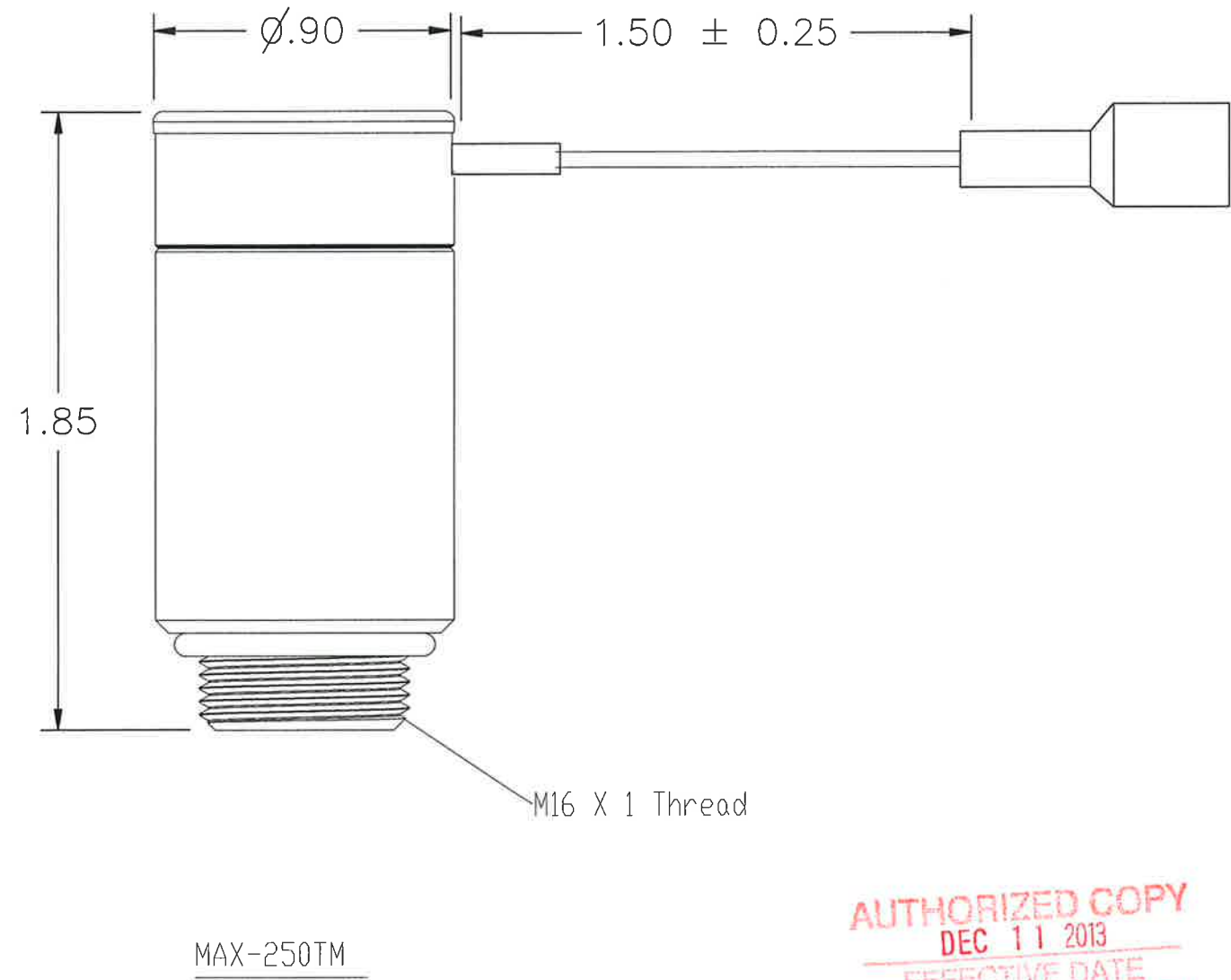
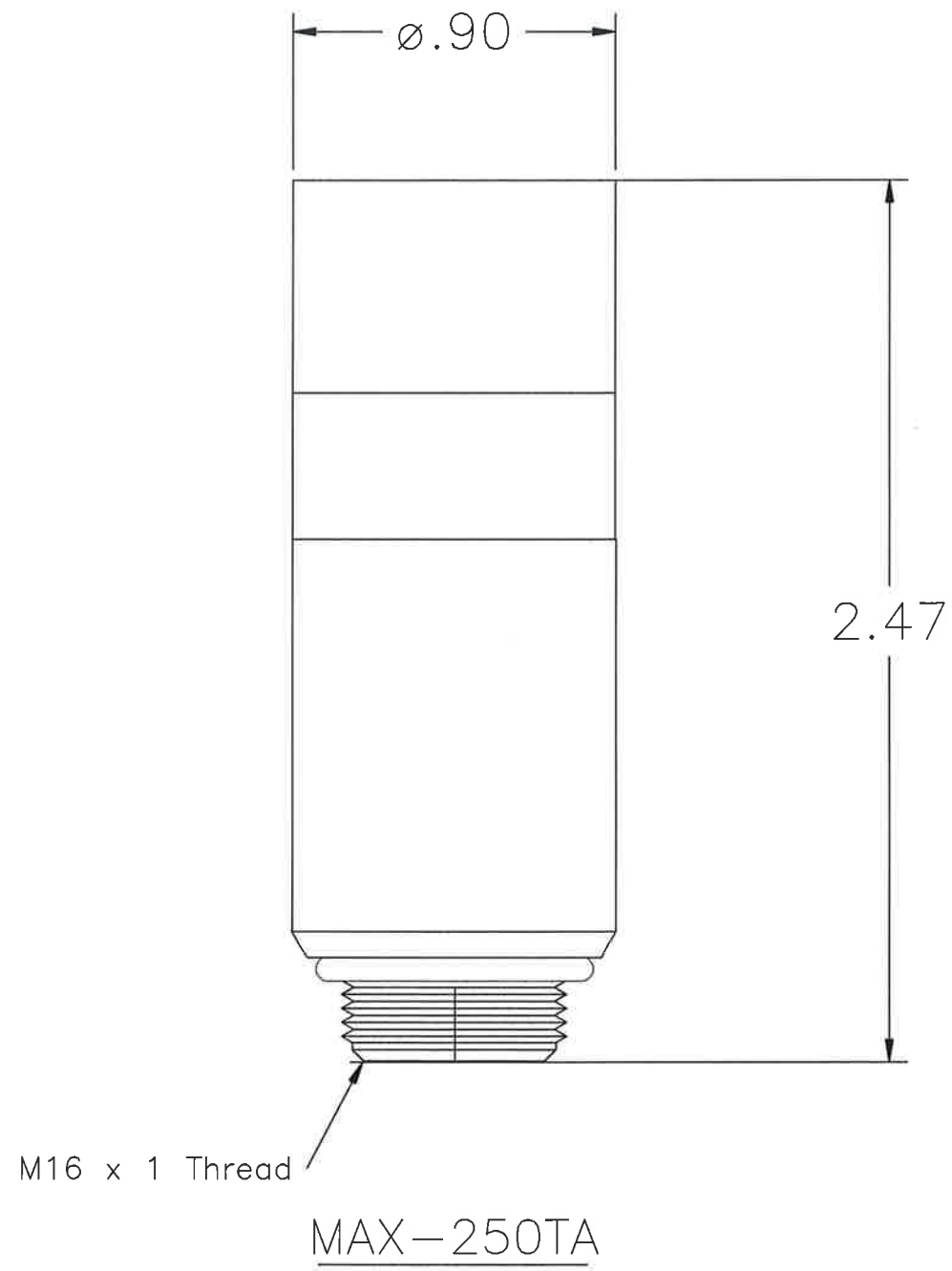
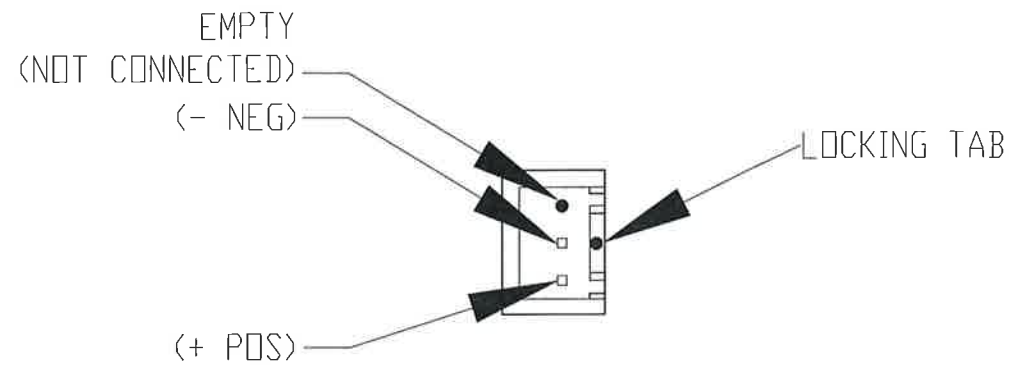
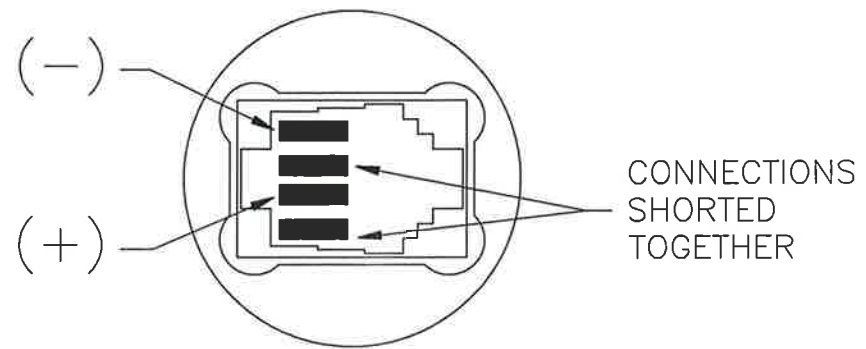
REV	DCO'S AFFECTING THIS DRAWING	DATE	APPROVED
A	INITIAL RELEASE # 3865	10/3/11	D.L.
E	DCO # 4744	12/11/13	D.L.
CORRECTED SPELLING ERRORS			

1. Output:  
11mV  $\pm$ 2.5mV in air at 1013 millibar pressure and a temperature range of 23 $\pm$ 2 °C
2. Operating Temperature:  
5° to 40 °C
3. Maximum Storage Temperature:  
-15° to 50 °C
4. Optimal Storage Temperature:  
5° to 25 °C
5. Range of Measurement (Full Scale):  
0 to 100% oxygen
6. Zero Offset:  
Less than or equal to 0.50 mV when exposed to to 100% nitrogen
7. 90% Response Time:  
Less than or equal to 15 seconds at 23 $\pm$ 2 °C
8. Linearity:  
Within  $\pm$  2.0% of full scale

9. Stability:  
Less than 1% of full scale over an 8 hour period (drift) at constant temperature, pressure, humidity, and concentration of oxygen.
10. Interference:  
Less than 2% of full scale in presence of 75% Nitrous oxide  
Less than 2% of full scale in presence of 5% Halothane  
Less than 2% of full scale in presence of 5% Isoflurane  
Less than 2% of full scale in presence of 5% Enflurane  
Less than 2% of full scale in presence of 6% Sevoflurane  
Less than 2% of full scale in presence of 15% Desflurane  
Less than 2% of full scale in presence of 10% Carbon Dioxide  
Less than 2% of full scale in presence of 70% Helium
11. Temperature Compensation:  
Less than  $\pm$  3.0% from 15° to 40°C
12. Expected Life  
> 1,500,000% oxygen hours under normal operating conditions
13. Humidity  
5% to 95% Relative Humidity non-condensing
14. Thermal Stability:  
Less than 2% deviation of full scale over a 2°C/min change in environment temperature in room air at constant pressure and humidity when calibrated at room temperature (23 $\pm$ 2°C)

**AUTHORIZED COPY**  
**DEC 11 2013**  
**EFFECTIVE DATE**  
**VALID ONLY IF THIS STAMP IS RED**

UNLESS OTHERWISE SPECIFIED DIMENSIONS ARE IN INCHES AND PER ANSI Y14.5-1982				<b>maxtec</b> <sup>®</sup> SALT LAKE CITY, UTAH 84107			
		.XX = $\pm$ .01		ANGLES			
		.XXX = $\pm$ .005		$\pm$ 1'30'			
		.XXXX = $\pm$ .002					
QA	D. LARSEN	12/11/13	PREP	M. SWANK	9/9/11	SIZE	FSCM NO.
MFG	E. MEADS	12/11/13	CHKR	C. CINDRICH	9/29/11	B	1S815
			ENG	C. CINDRICH	12/11/13	NUMBER	R125P45
						SCALE	NONE
							SHEET 1 OF 2
							REV E



**AUTHORIZED COPY**  
 DEC 11 2013  
 EFFECTIVE DATE  
 VALID ONLY IF THIS STAMP IS RED

SIZE B	FSCM NO. 1S815	NUMBER R125P45	REV E
SCALE NONE	SHEET 2 OF 2		

PROPRIETARY INFORMATION  
 MAXTEC

R125P45 E